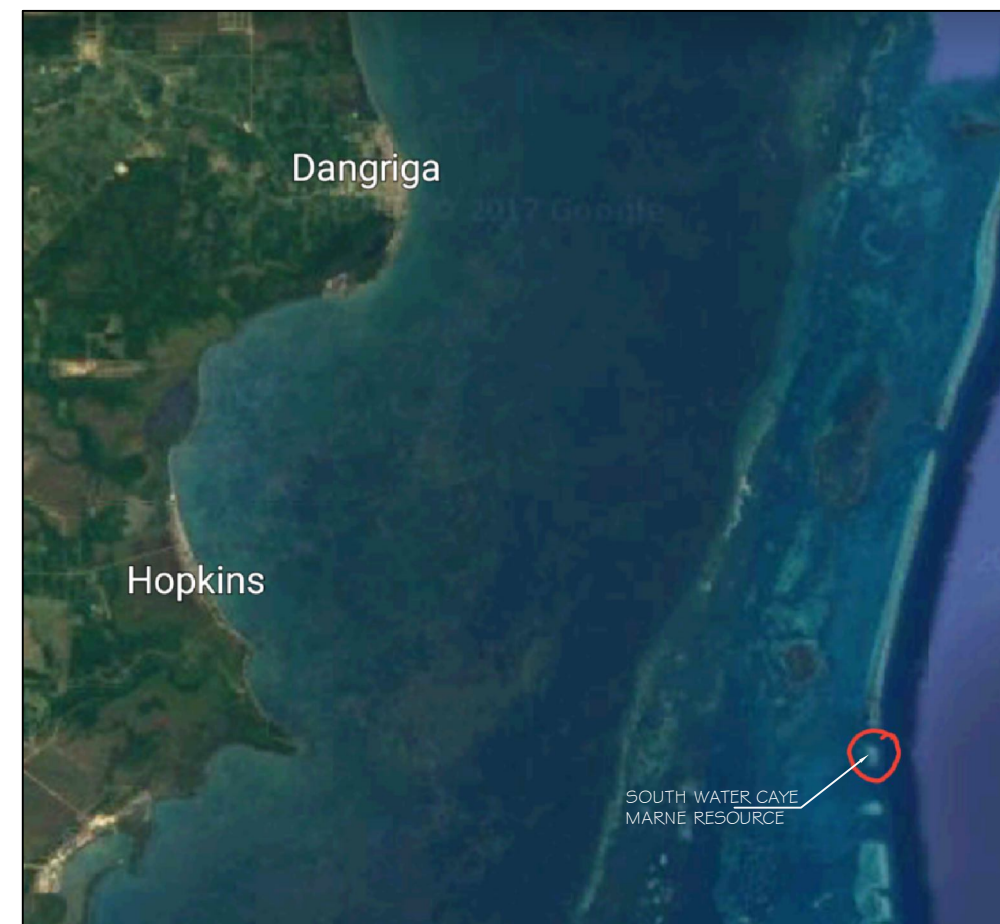
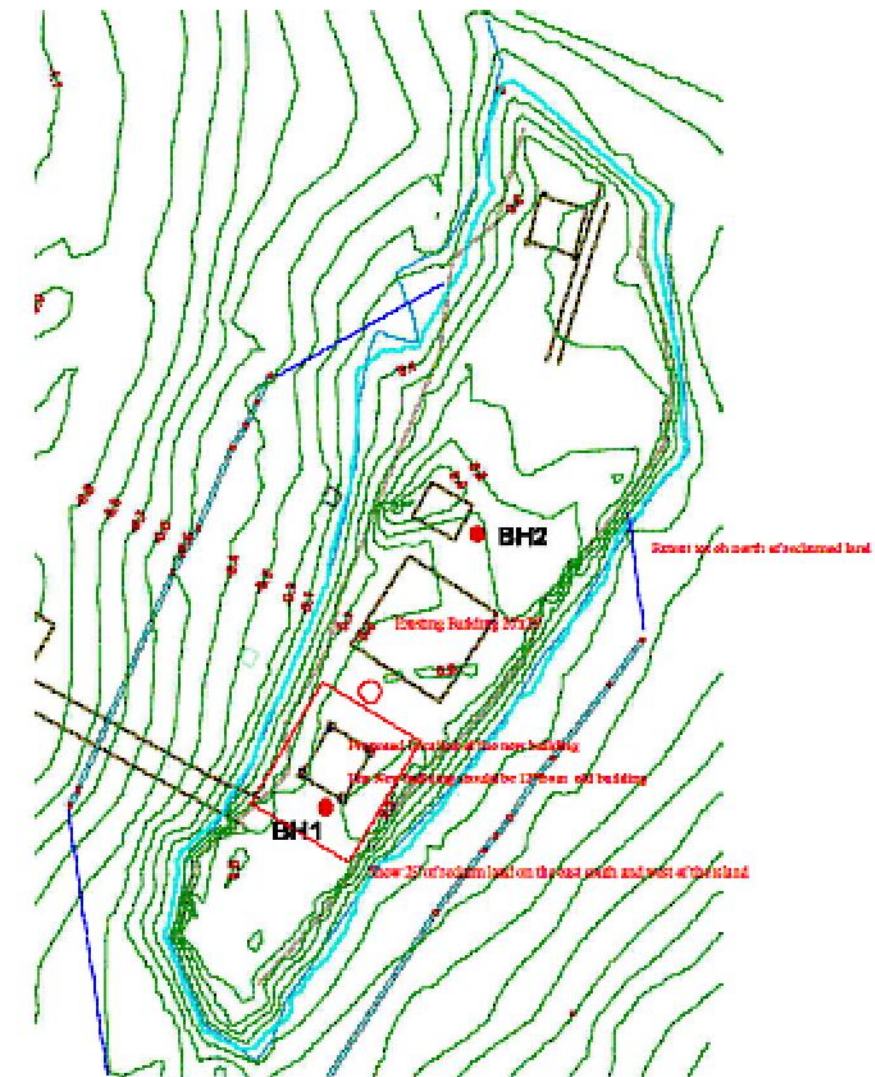
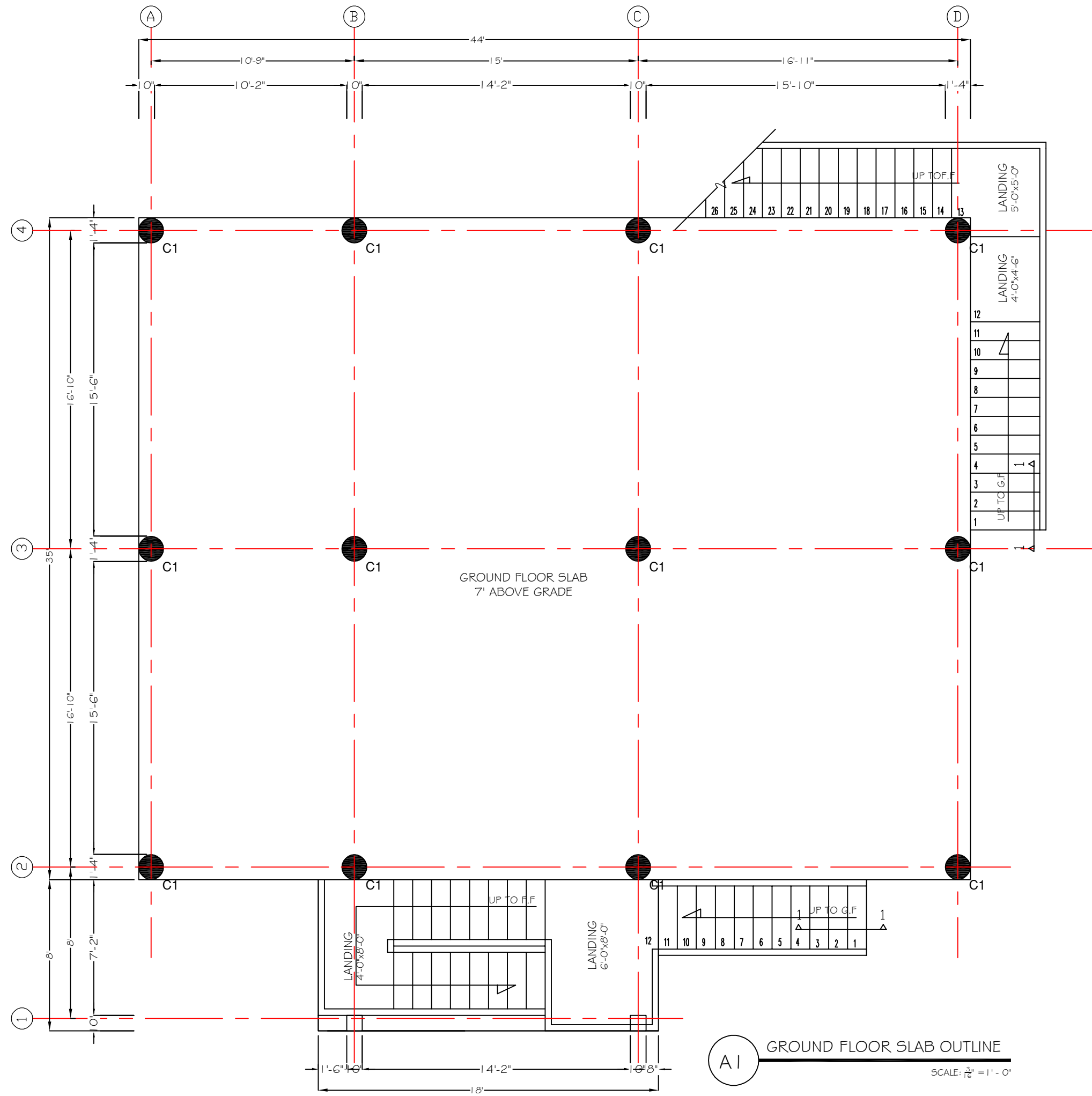


SITE & LOCATION PLAN

Scale: 3/16" = 1'-0"

Location Plan





20 Bahamas Street, Belmore City, Cayo
 Tel: (50) 622-0634, Cell: (50) 610-1788
 Email: s3jw@delaine.com

SOUTH WATER CAYE MARINE RESERVE

**SHEET TITLE:
 GROUND FLOOR SLAB OUTLINE**

PREPARED BY
KEILA MARTINEZ
 ENGINEERING BY
WILLIAM C. LAMB JR.

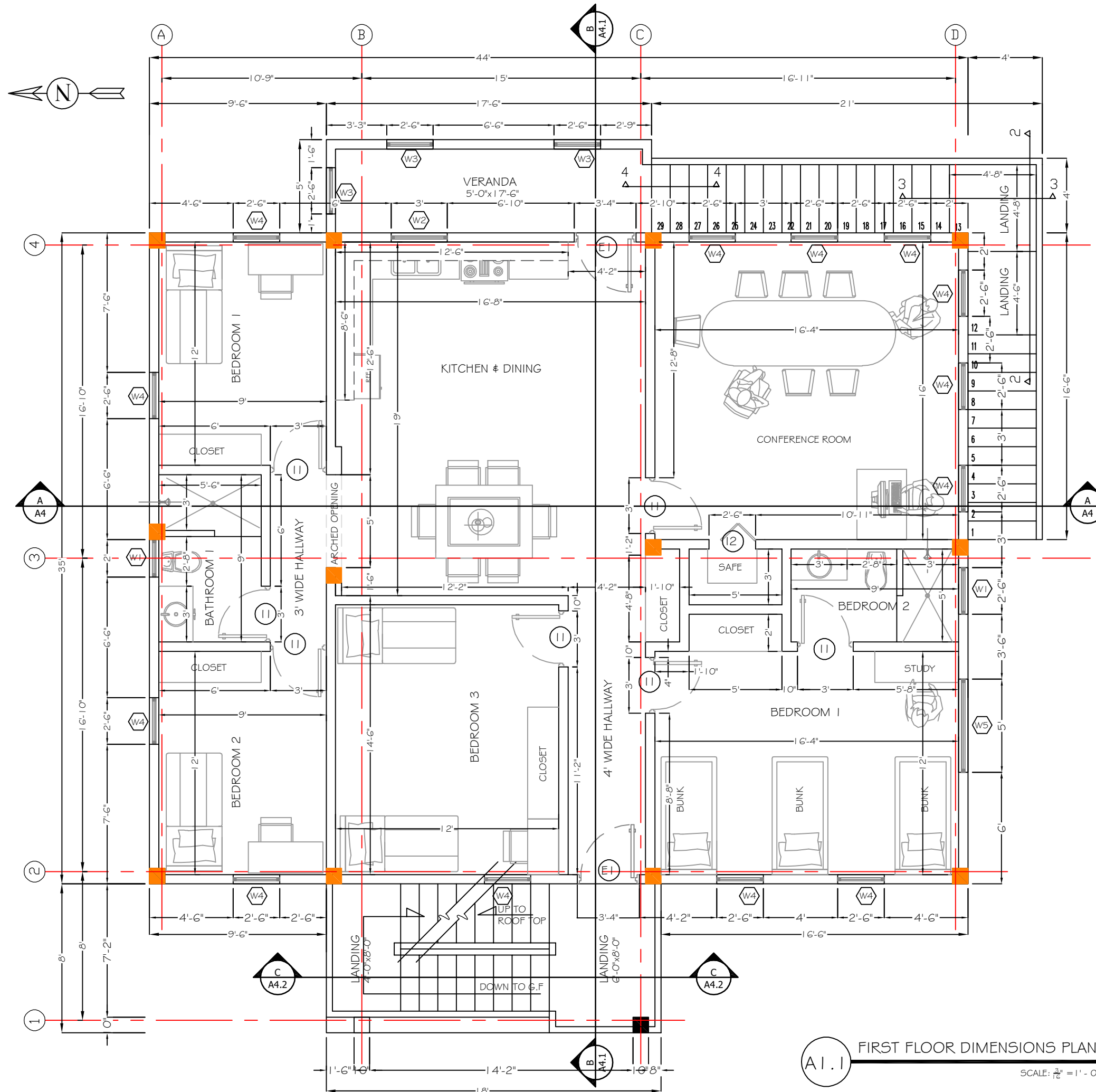
ARCHITECTURE BY
MEHER CHULANI

DATE
MAY 2018

SCALE
AS SHOWN

SHEET NO.

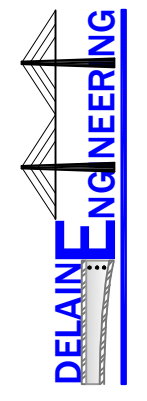
A1



A1.1 FIRST FLOOR DIMENSIONS PLAN
SCALE: 3/16" = 1' - 0"

SOUTH WATER CAYE MARINE RESERVE

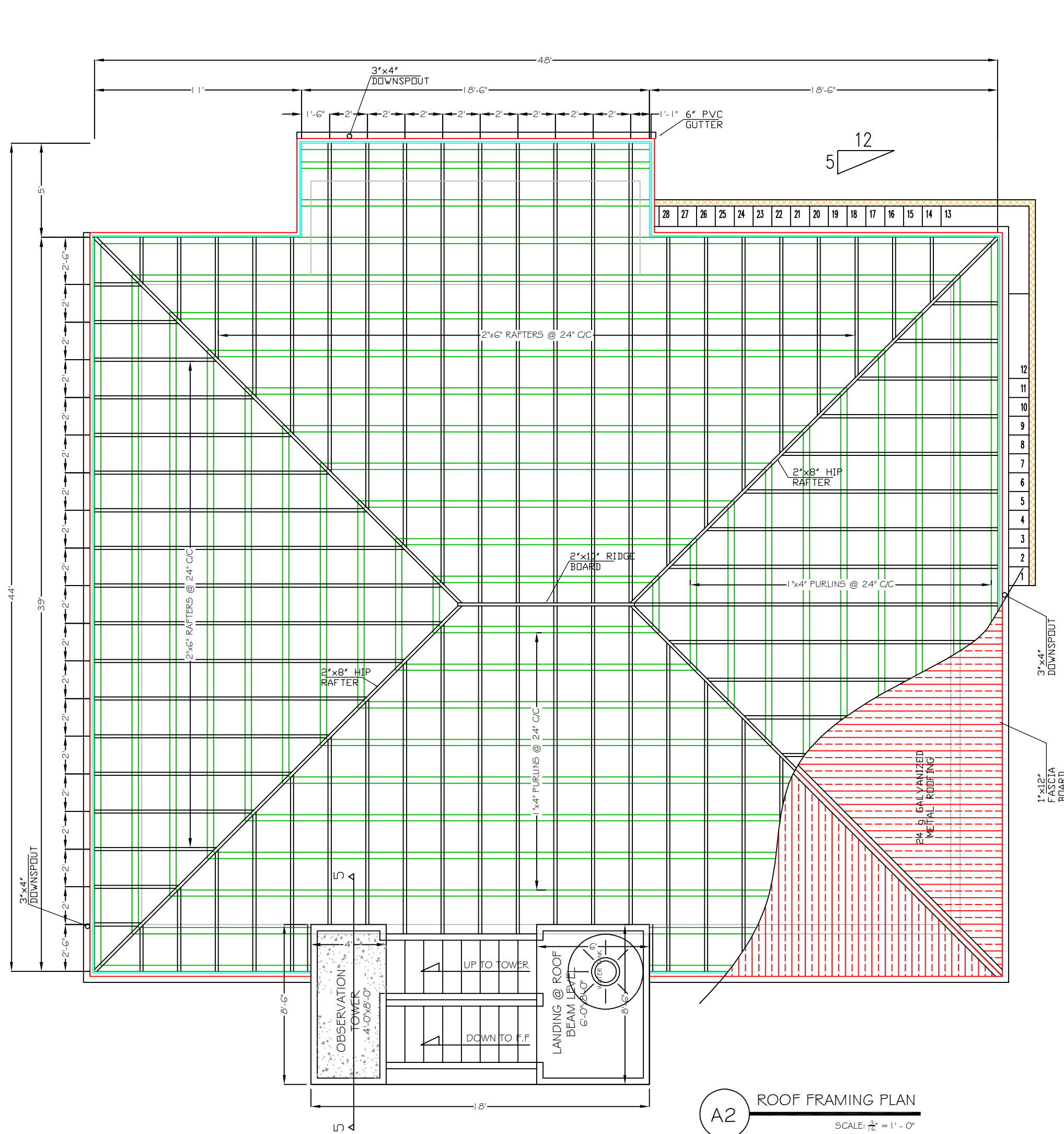
SHEET TITLE:
F.F DIMENSIONS PLAN



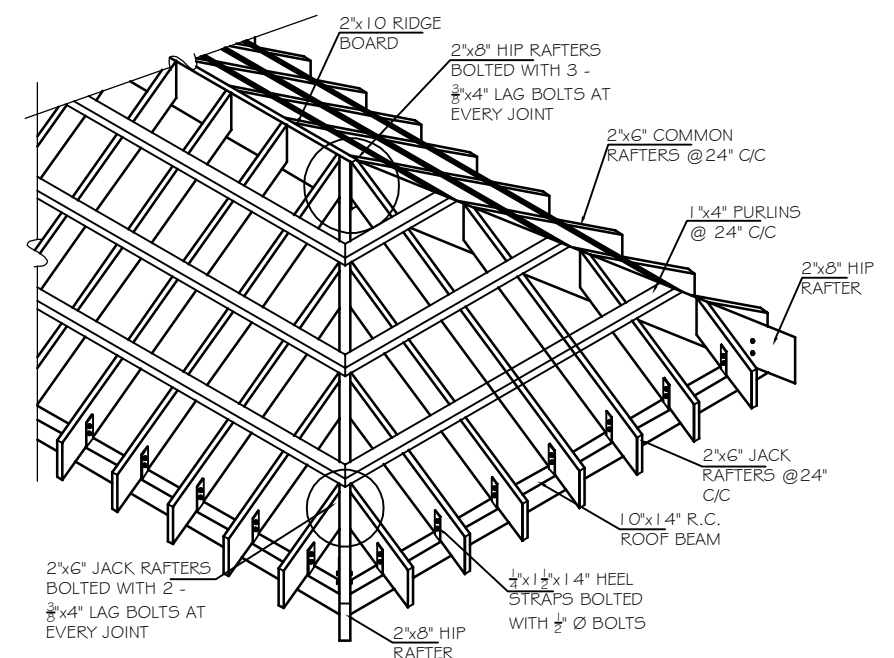
DELAINE ENGINEERING
20 Bahamas Street, Belemopan City, Cayo
Tel: (50) 822-0634, Cell: (50) 610-1788
Email: s3ylw1amb@yahoo.com

PREPARED BY
KEILA MARTINEZ
ENGINEERING BY
WILLIAM C. LAMB JR.

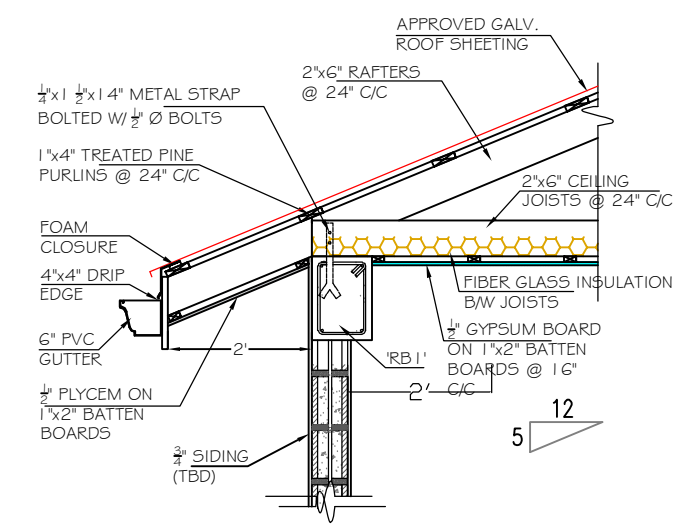
ARCHITECTURE BY
MEHER CHULANI
DATE
MAY 2018
SCALE
AS SHOWN
SHEET NO.
A1.1



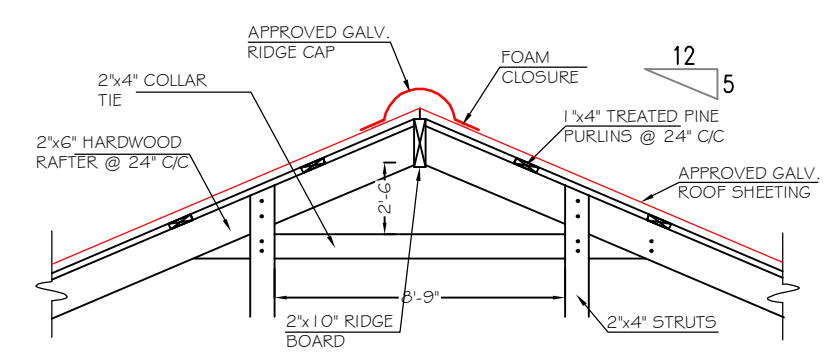
A2 ROOF FRAMING PLAN
SCALE: $\frac{3}{16}'' = 1' - 0''$



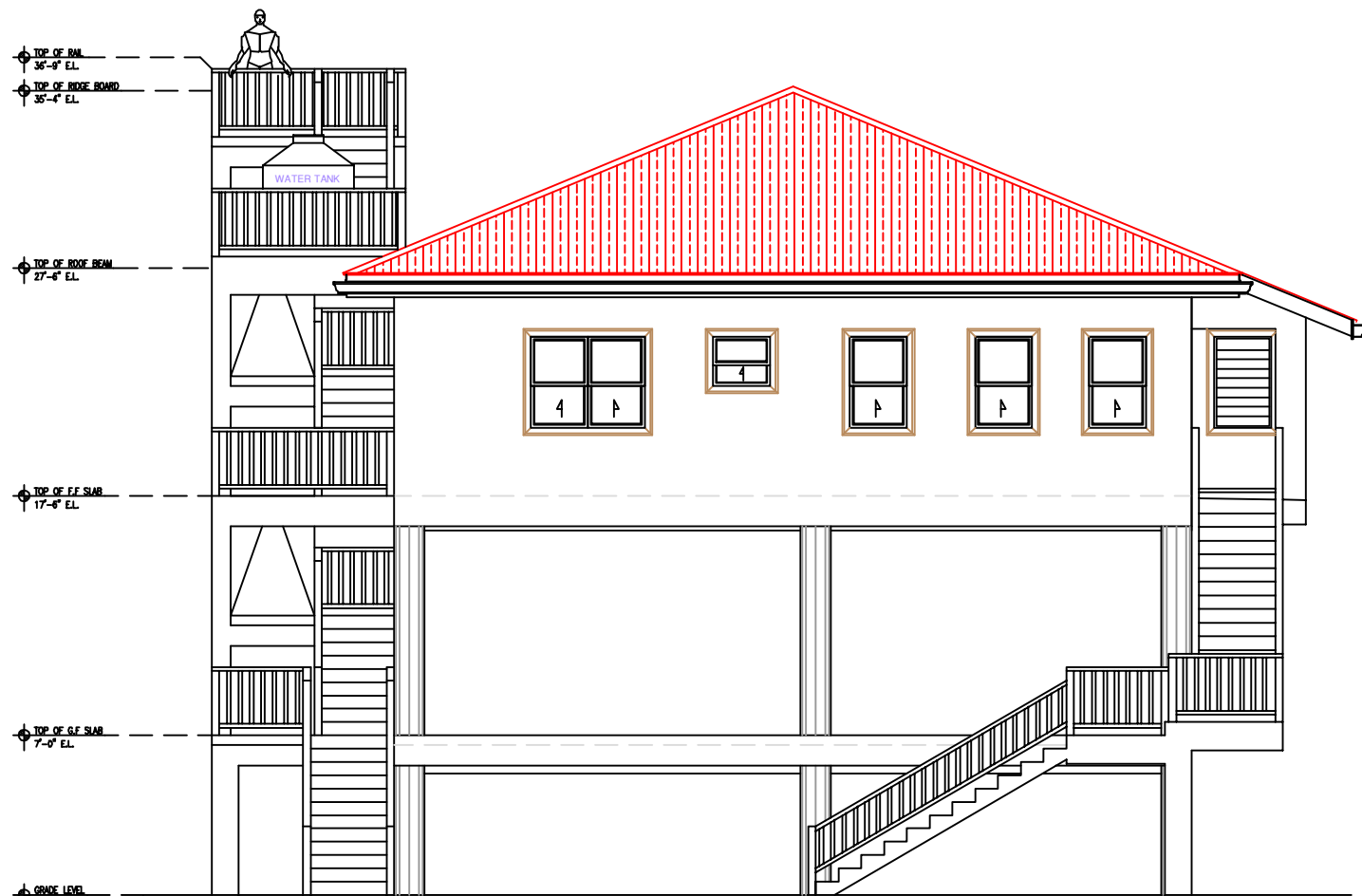
2 TYPICAL MAIN ROOF FRAMING (ISOMETRIC)
SCALE: $\frac{1}{4}'' = 1' - 0''$



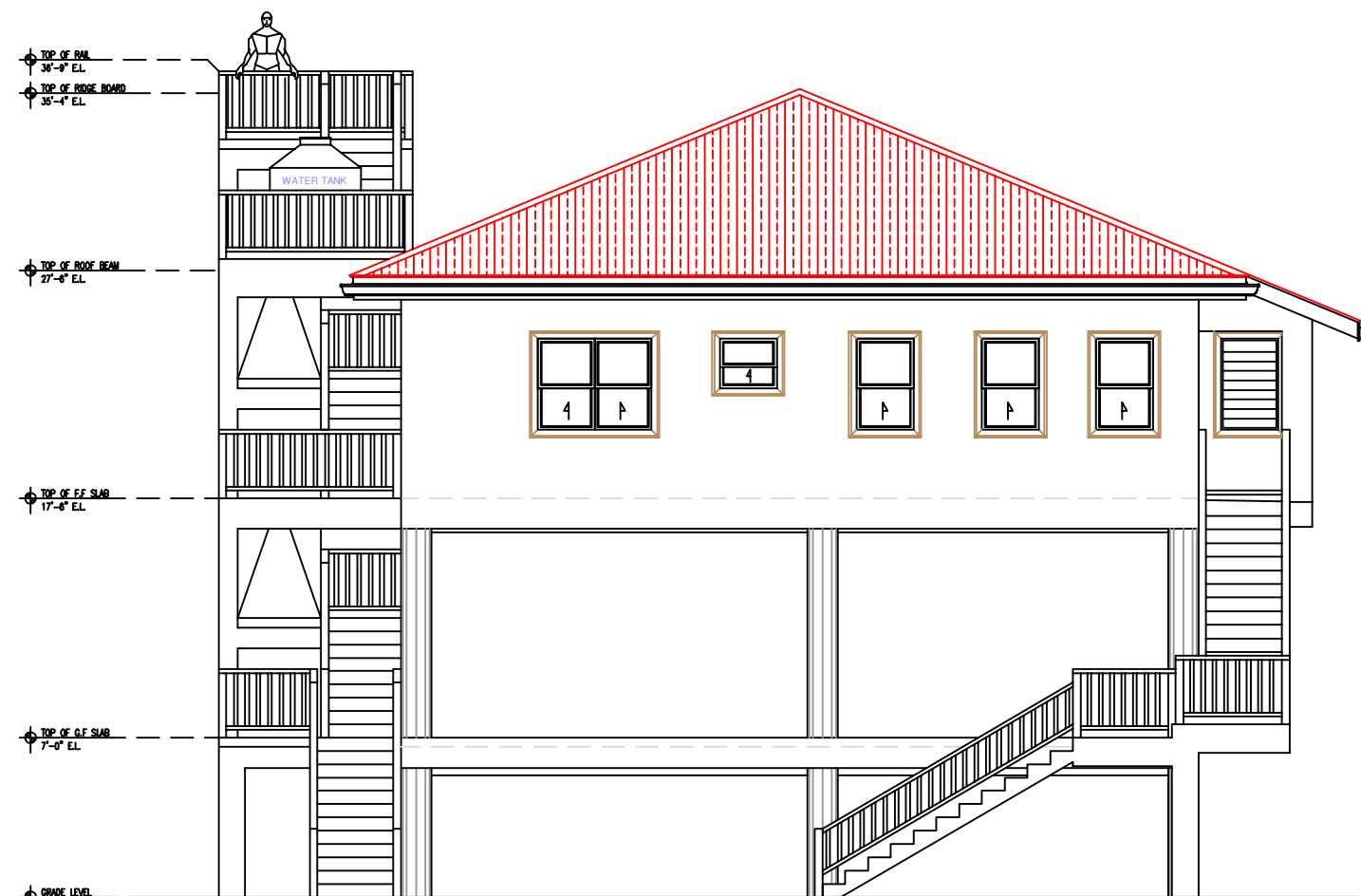
3 ROOF EAVE DETAIL (DROP CEILING)
SCALE: $\frac{3}{8}'' = 1' - 0''$



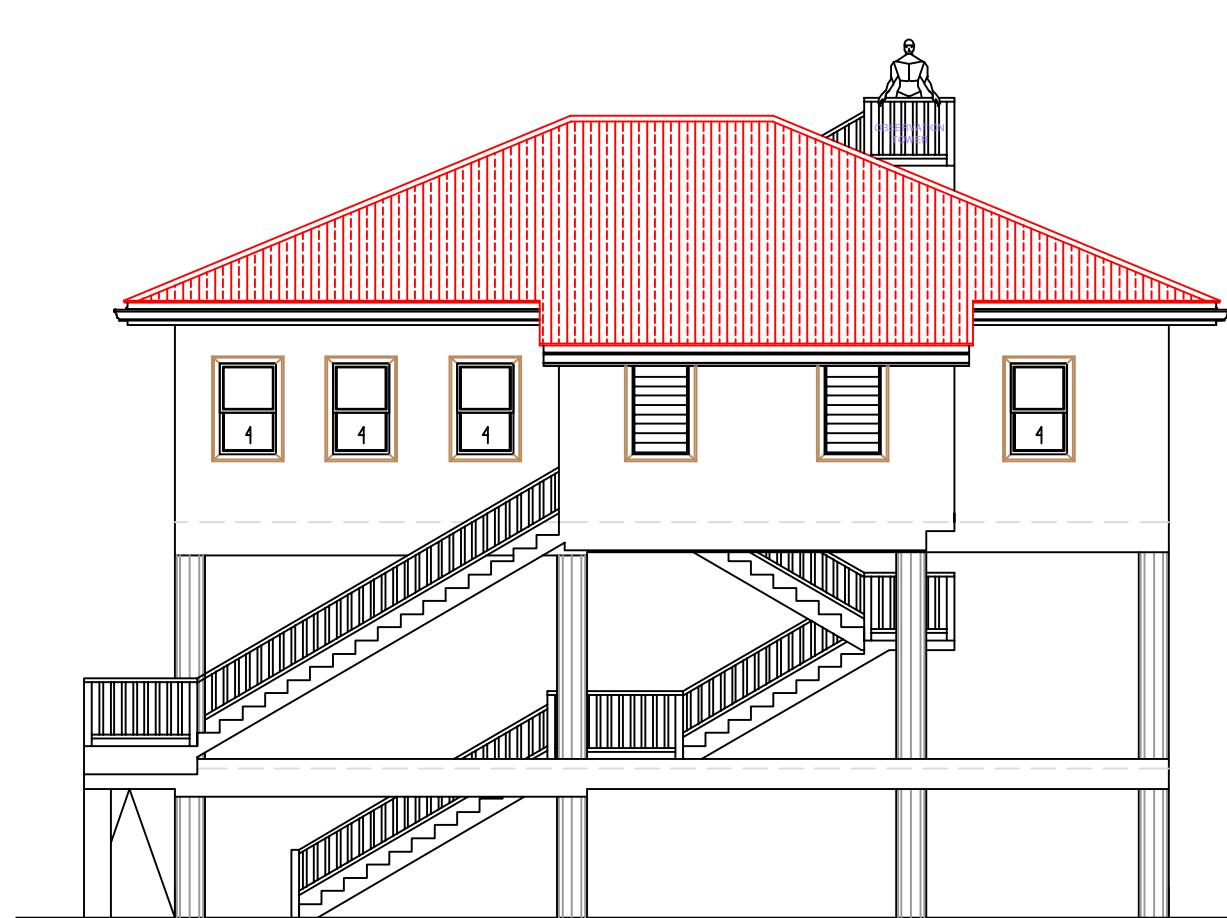
4 ROOF RIDGE DETAIL (TYPICAL)
SCALE: $\frac{3}{8}'' = 1' - 0''$



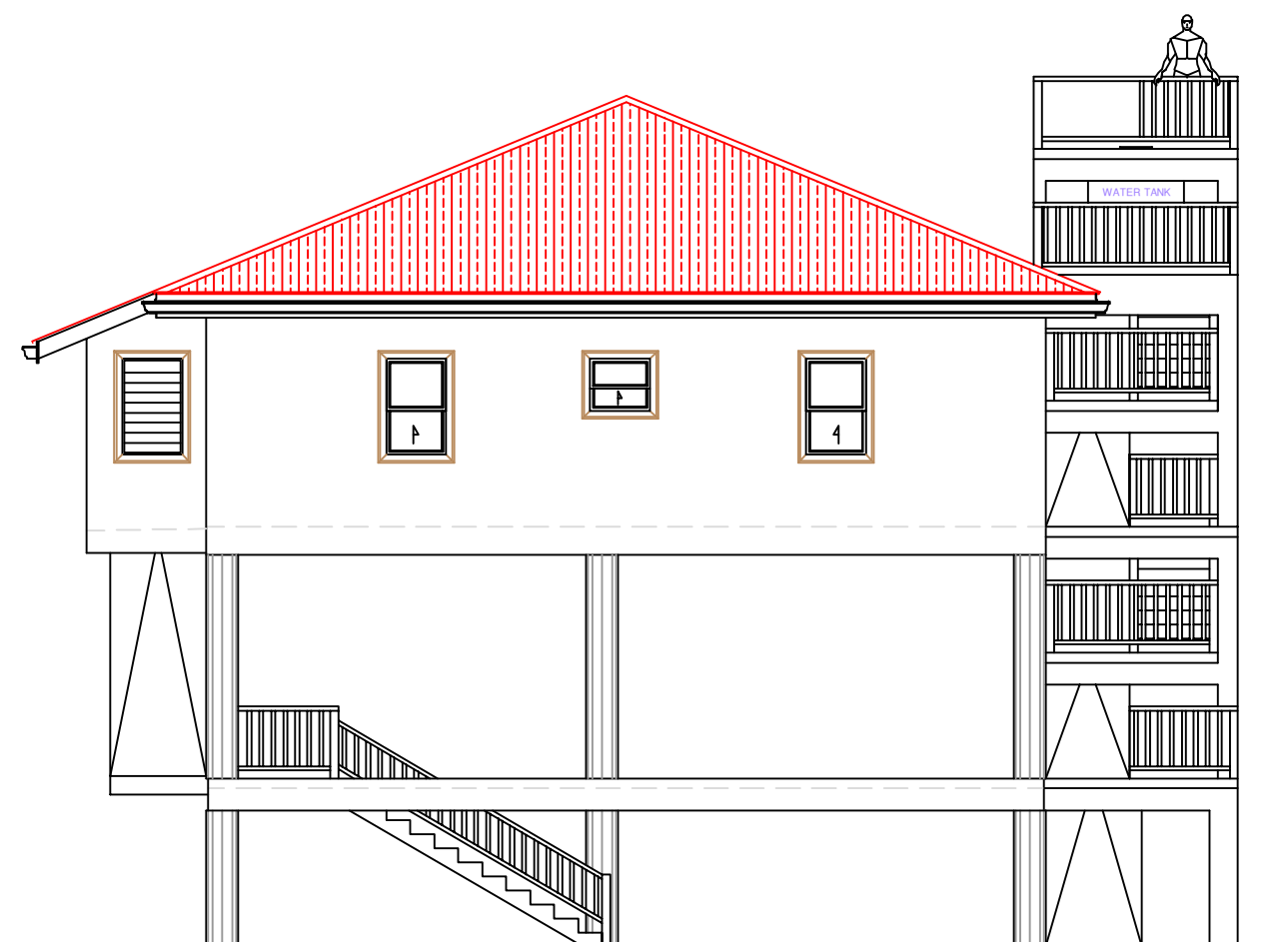
RIGHT ELEVATION (SOUTH)



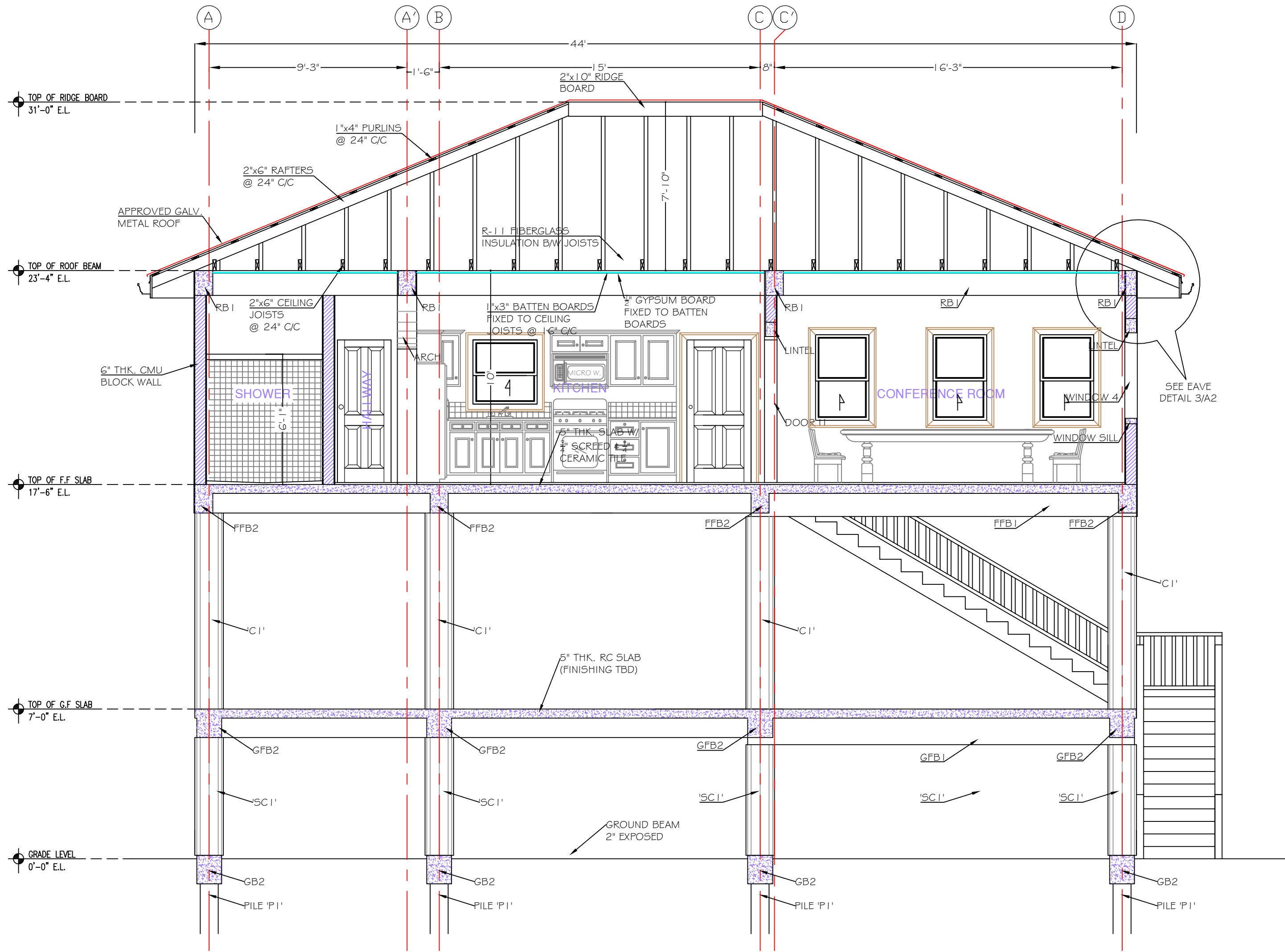
RIGHT ELEVATION (SOUTH)



REAR ELEVATION - EAST



LEFT ELEVATION (NORTH)



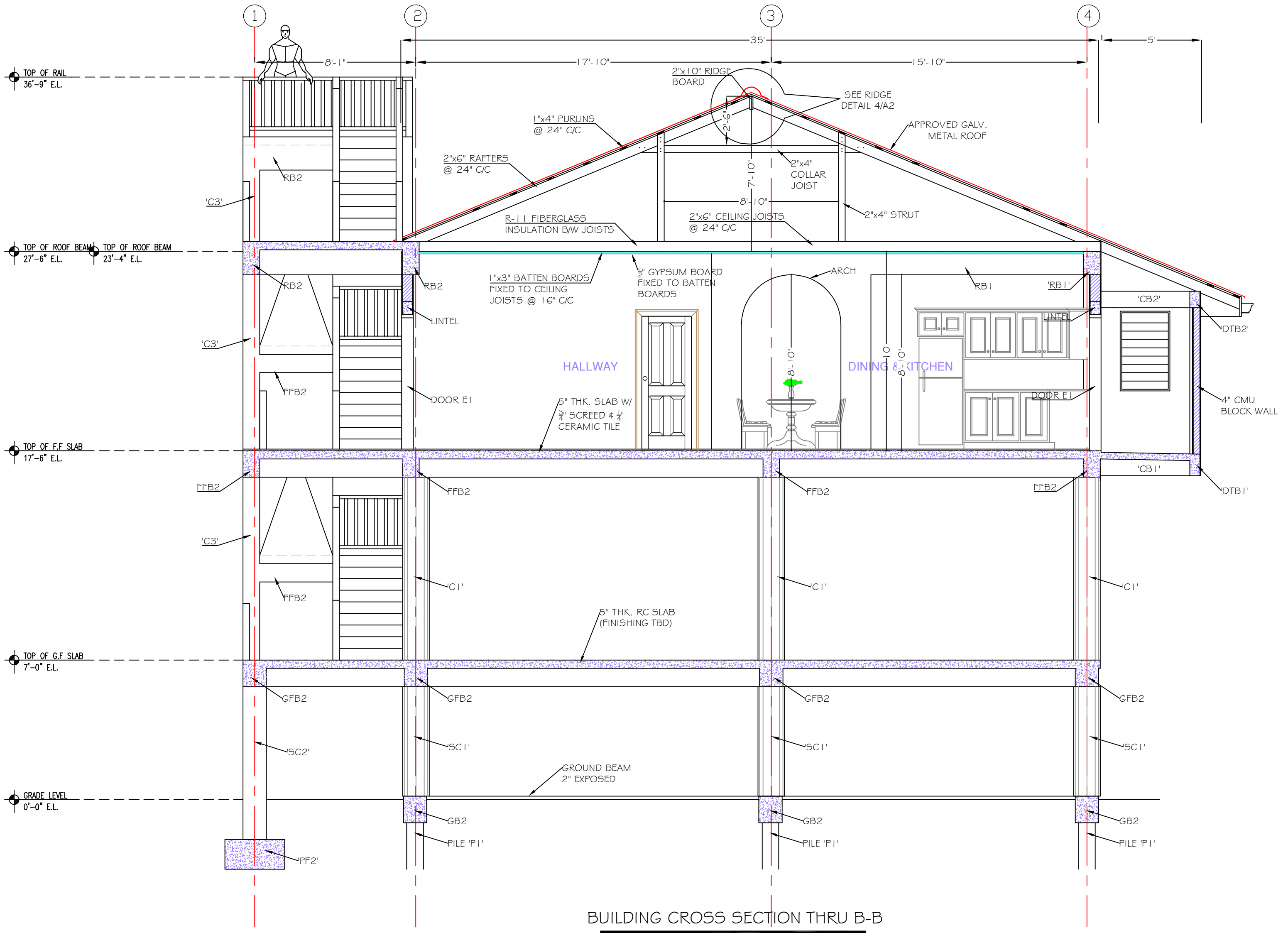
BUILDING CROSS SECTION THRU A-A

SCALE: 1/4" = 1' - 0"

SOUTH WATER CAYE MARINE RESERVE

SHEET TITLE:
 BUILDING CROSS SECTION A-A

PREPARED BY KEILA MARTINEZ
ENGINEERING BY WILLIAM C. LAMB JR.
ARCHITECTURE BY MEHER CHULANI
DATE MAY 2018
SCALE AS SHOWN
SHEET NO. A4



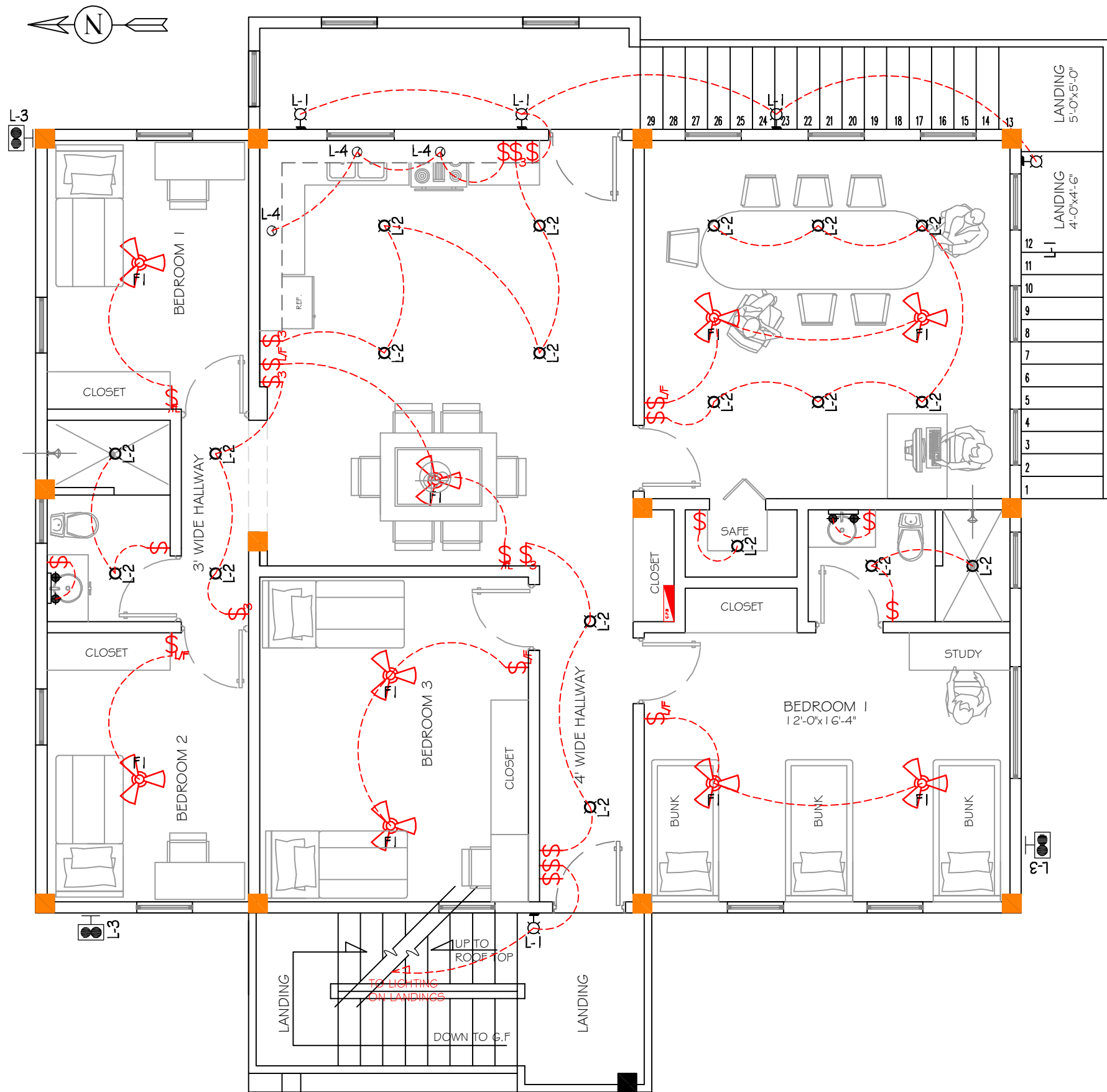
BUILDING CROSS SECTION THRU B-B

SCALE: 1/4" = 1' - 0"

SOUTH WATER CAYE MARINE RESERVE

SHEET TITLE:
 BUILDING CROSS SECTION B-B

PREPARED BY KEILA MARTINEZ
ENGINEERING BY WILLIAM C. LAMB JR.
ARCHITECTURE BY MEHER CHULANI
DATE MAY 2018
SCALE AS SHOWN
SHEET NO. A4.1



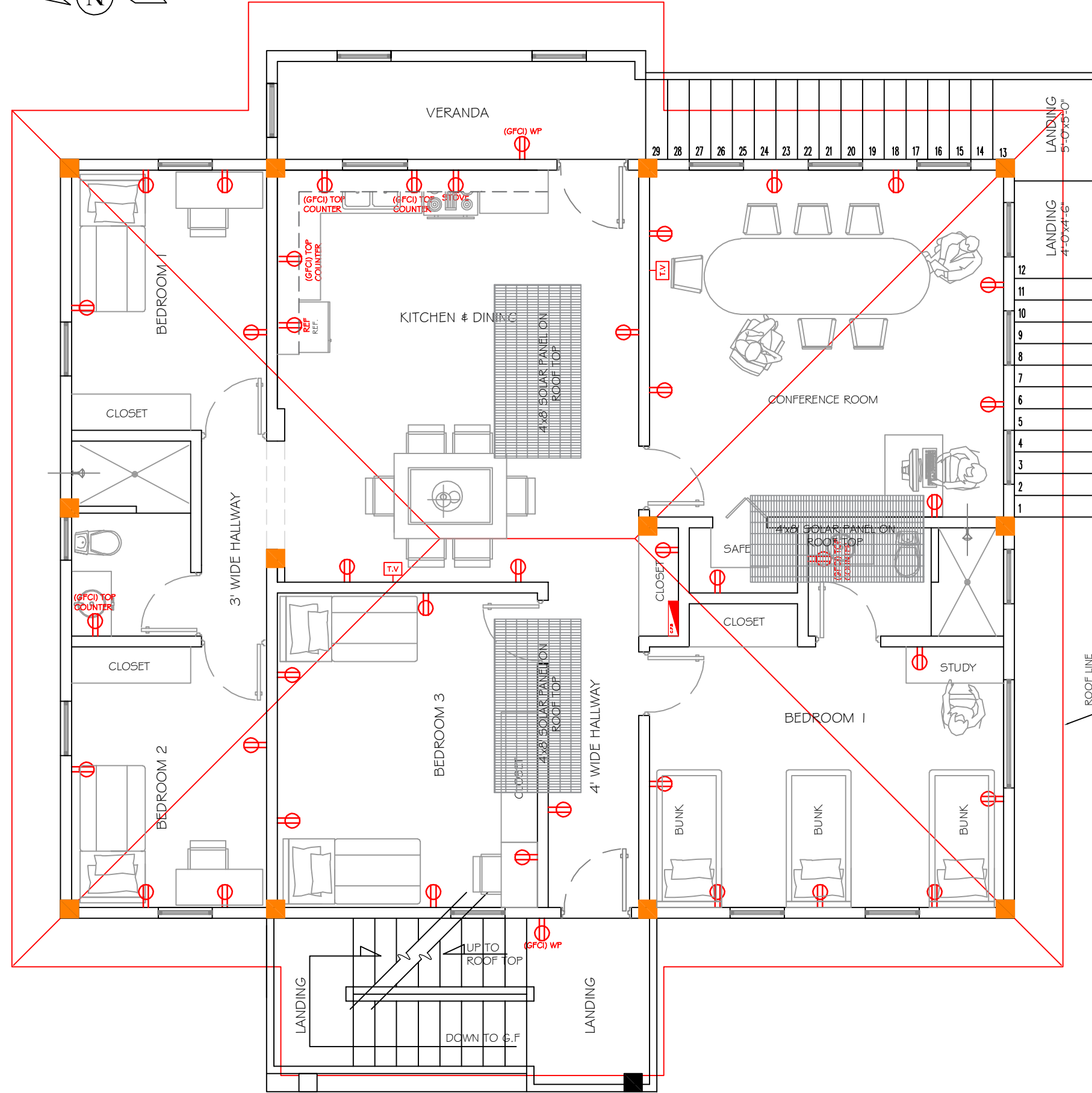
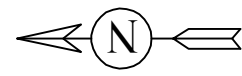
E1 FIRST FLOOR LIGHTING FIXTURES
SCALE: 1/8" = 1' - 0"

ELECTRICAL LEGEND

- Main panel box
- Electrical wire
- 1 IOV Double wall outlet
- Double wall outlet (Ground Fault Circuit)
- Double wall outlet (Ground Fault Circuit Weather Proof)
- Internet Cable
- Television Cable
- Single Pole Switch
- Three Way Switch
- Light & Fan Switch Combo
- Hanging / Ceiling Fan with Light
- Sconce Wall Mounted Lights
- Surface Mounted Ceiling Lights
- Motion Sensor Wall Light
- Under Cabinet Ceiling Lights
- Vanity Wall Light

ELECTRICAL NOTES:

- Electrical lines are to indicate fixtures switches. NOT for wire directions
- 1. All outlets are to be installed 16" height from floor.
- 2. All top counter outlets are to be installed 42" from floor.
- 3. All switches are to be installed 48" height from floor.
- 4. All wall lights are to be installed 84" height from floor.
- 5. All AC units to be just below roof beam. The outside units will be mounted on brackets on the exterior walls behind the interior units. Use 12,000BTU/h in Living Rooms and 9,000BTU/h in bedrooms 1 and 2.
- 5. All design complies with NEC and BEL standards and requirements
- 6. All installation shall adhere to both BEL and NEC
- 7. All Outlets and switches are to be flush mounted
- 8. All cables are to be installed via conduits both PVC or EMT where applicable
- 9. Wire gauge should be No. 12 minimum
- 10. All metal parts and conduits are to be bonded and grounded
- 11. All conduits are to be installed before casting of beams, columns and slabs.
- 12. All cables are to be installed in one length, no joints are to be allowed. All connections shall be made at outlets, switches & lights
- 13. All materials for installation shall be new, UL rated and of the same manufacturer.



E1.1 FIRST FLOOR OUTLETS LAYOUT
SCALE: 1/8" = 1' - 0"

ELECTRICAL LEGEND

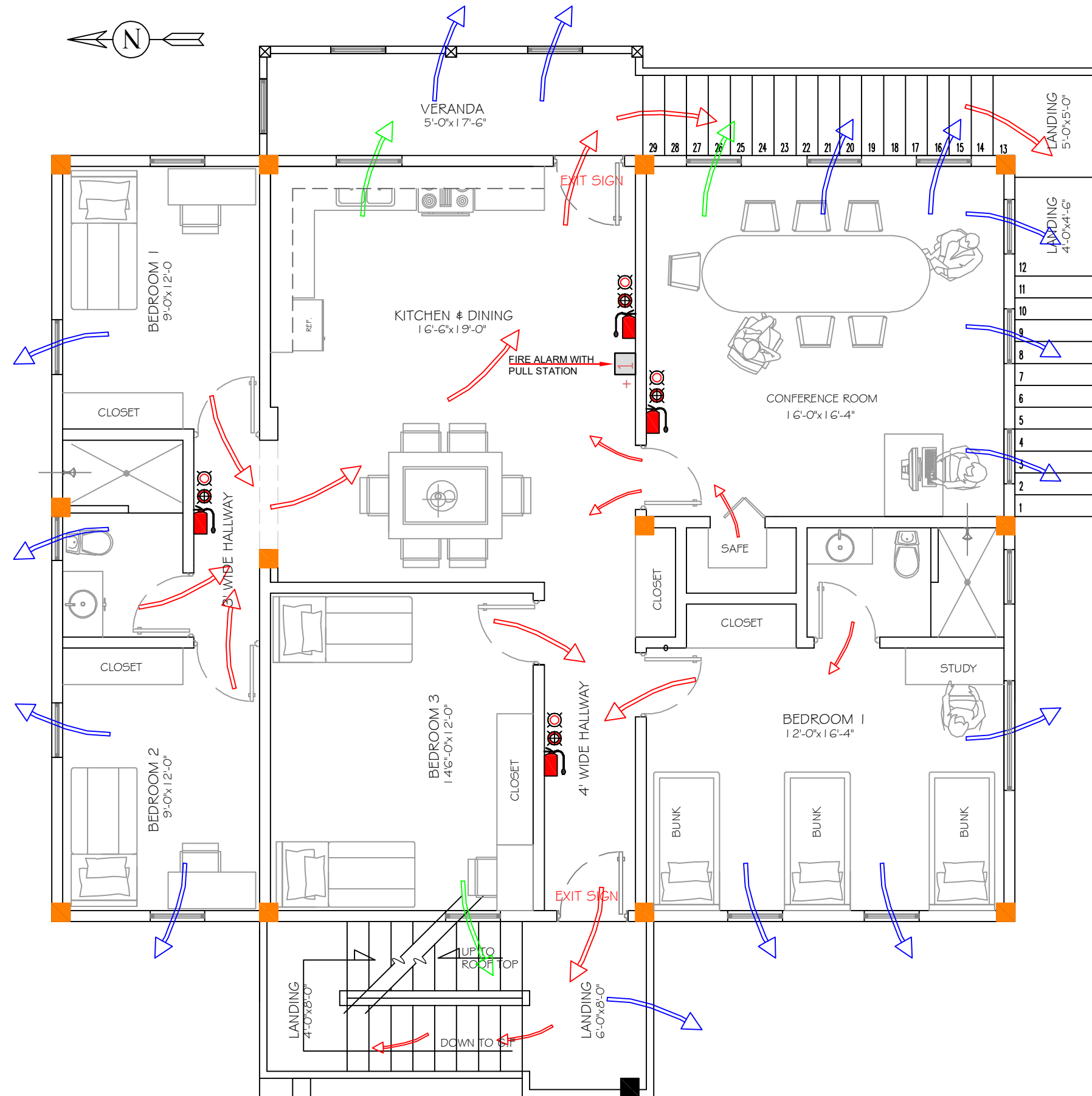
- Main panel box
- Electrical wire
- 1 IOV Double wall outlet
- GFCI
- GFCI(WP)
- Internet Cable
- Television Cable
- Single Pole Switch
- Three Way Switch
- Light & Fan Switch Combo
- Hanging / Ceiling Fan with Light
- Sconce Wall Mounted Lights
- Surface Mounted Ceiling Lights
- Motion Sensor Wall Light
- Under Cabinet Ceiling Lights
- Vanity Wall Light

ELECTRICAL NOTES:

- Electrical lines are to indicate fixtures switches. NOT for wire directions
- 1. All outlets are to be installed 16" height from floor.
- 2. All top counter outlets are to be installed 42" from floor.
- 3. All switches are to be installed 48" height from floor.
- 4. All wall lights are to be installed 84" height from floor.
- 5. All AC units to be just below roof beam. The outside units will be mounted on brackets on the exterior walls behind the interior units. Use 12,000BTU/h in Living Rooms and 9,000BTU/h in bedrooms 1 and 2.
- 6. All design complies with NEC and BEL standards and requirements
- 7. All installation shall adhere to both BEL and NEC
- 8. All Outlets and switches are to be flush mounted
- 9. All cables are to be installed via conduits both PVC or EMT where applicable
- 10. Wire gauge should be No. 12 minimum
- 11. All metal parts and conduits are to be bonded and grounded
- 12. All conduits are to be installed before casting of beams, columns and slabs.
- 13. All cables are to be installed in one length, no joints are to be allowed. All connections shall be made at outlets, switches & lights
- 14. All materials for installation shall be new, UL rated and of the same manufacturer.

PREPARED BY
KEILA E. MARTINEZ
ENGINEERING BY
WILLIAM C. LAMB JR.

ARCHITECTURE BY
MEHER CHULANI
DATE
MAY 2018
SCALE
AS SHOWN
SHEET NO.
E1.1



LEGEND

- PRIMARY ESCAPE PATH
- SECONDARY ESCAPE PATH
- TERTIARY ESCAPE PATH WITH THE USE OF A FIRE ESCAPE LADDER
- FIRE EXTINGUISHERS
- SMOKE DETECTOR
- EMERGENCY LIGHTS
- FIRE ALARM WITH PULL STATION
- MEETING AREA (UNDER TREES AWAY FROM BUILDINGS)

*NOTE: FIRST FLOOR IS 17'-6" ABOVE GRADE LEVEL

F1 FIRST FLOOR FIRE ESCAPE PLAN
SCALE: 3/8" = 1' - 0"




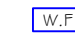
SOUTH WATER CAYE MARINE RESERVE
SHEET TITLE:
FIRSTS FLOOR FIRE ESCAPE PLAN

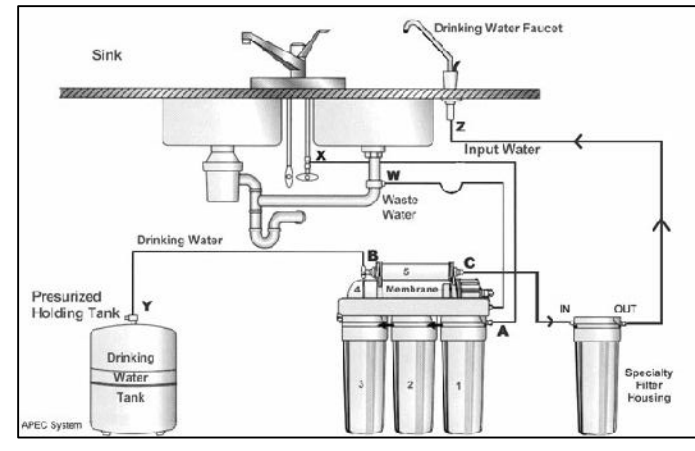
PREPARED BY
KEILA E. MARTINEZ
ENGINEERING BY
WILLIAM C. LAMB JR.
ARCHITECTURE BY
MEHER CHULANI
DATE
MAY 2018
SCALE
AS SHOWN
SHEET NO.
F1

PLUMBING NOTES:

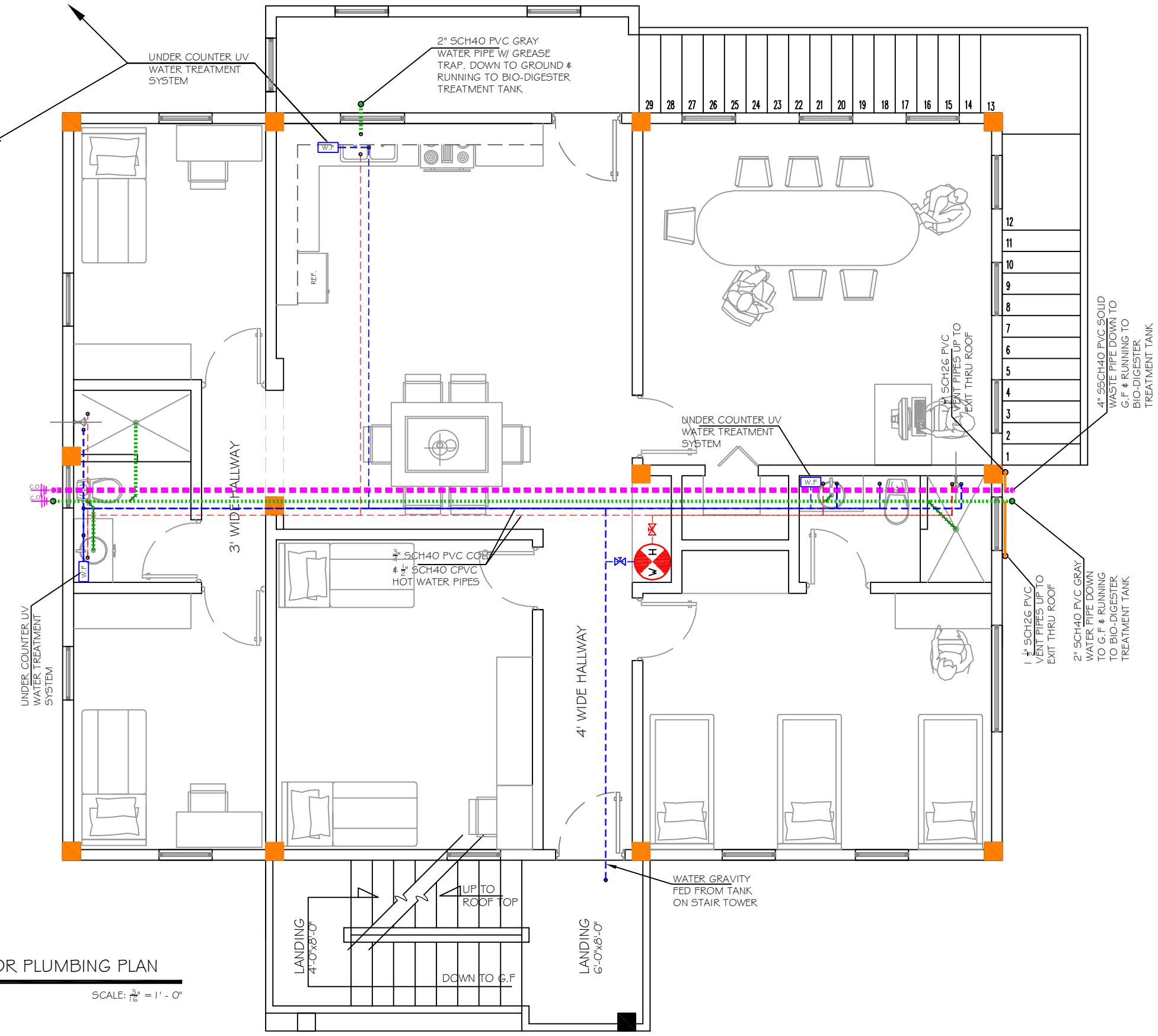
- All cold water pipes for installation shall be $\frac{3}{4}$ " Ø PVC SCH 40.
- All hot water pipes for installation shall be $\frac{1}{2}$ " Ø CPVC SCH 40
- All soil pipes for installation shall be 4" Ø PVC SCH 40, they shall NOT be less than 3" Ø.
- All grey water pipes for installation shall be 2" Ø PVC SCH 40, they shall NOT be less in Ø.
- All pipes are to be installed before casting of beams, columns and slabs.
- All materials for installation shall be new, and of the same manufacturer.
- NO soil or waste pipe shall be fitted with double hubs, double tees or double y's.
- NO waste water pipe shall discharge into a bend attached to a water closet bowl.
- All joints and connections shall be of the same material and shall be air and watertight.
- All lavatory, basin or sink shall be fixed at normal height of 36" above finished floor level.
- All vent pipes shall be $1\frac{1}{2}$ " in Ø. Vent pipes shall be extended to a minimum distance of 18" above roof.
- Gas line pipe shall be $\frac{3}{8}$ " copper and use 25mm conduit when running through floor and walls. Use flare fittings when making sharp bends or coupling two pipes. Sold in rolls of 50 feet. Will need a regulator at the take and flare nit to tie into this.

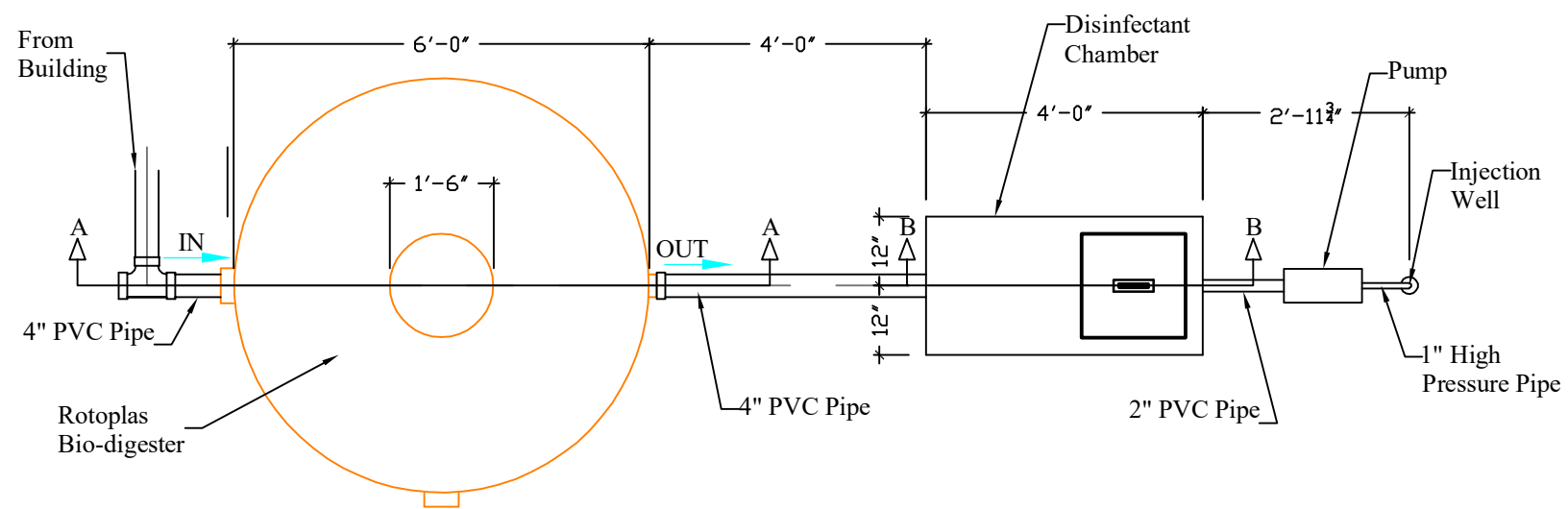
PLUMBING LEGEND

- PVC Cold Water Pipe
- CPVC Hot Water Pipe
- 2" PVC Sch40 Grey Water Pipe
- 4" PVC Sch40 Solid Waste water Pipe
- 1½" Sch26 Vent Pipe
-  Hose Bibb / Faucet
-  Clean out
-  Water Heater
-  Valves
-  Water Filtration System

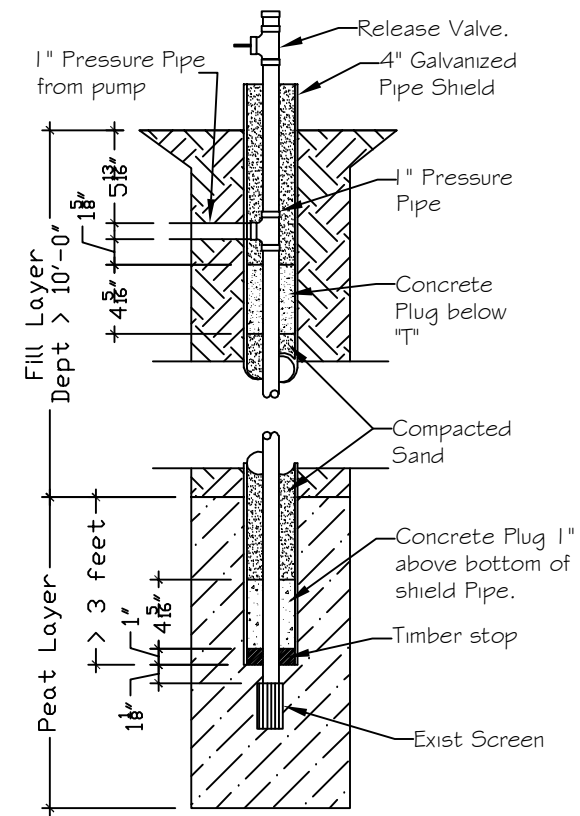


P1 FIRST FLOOR PLUMBING PLAN
SCALE: $\frac{3}{16}$ " = 1' - 0"

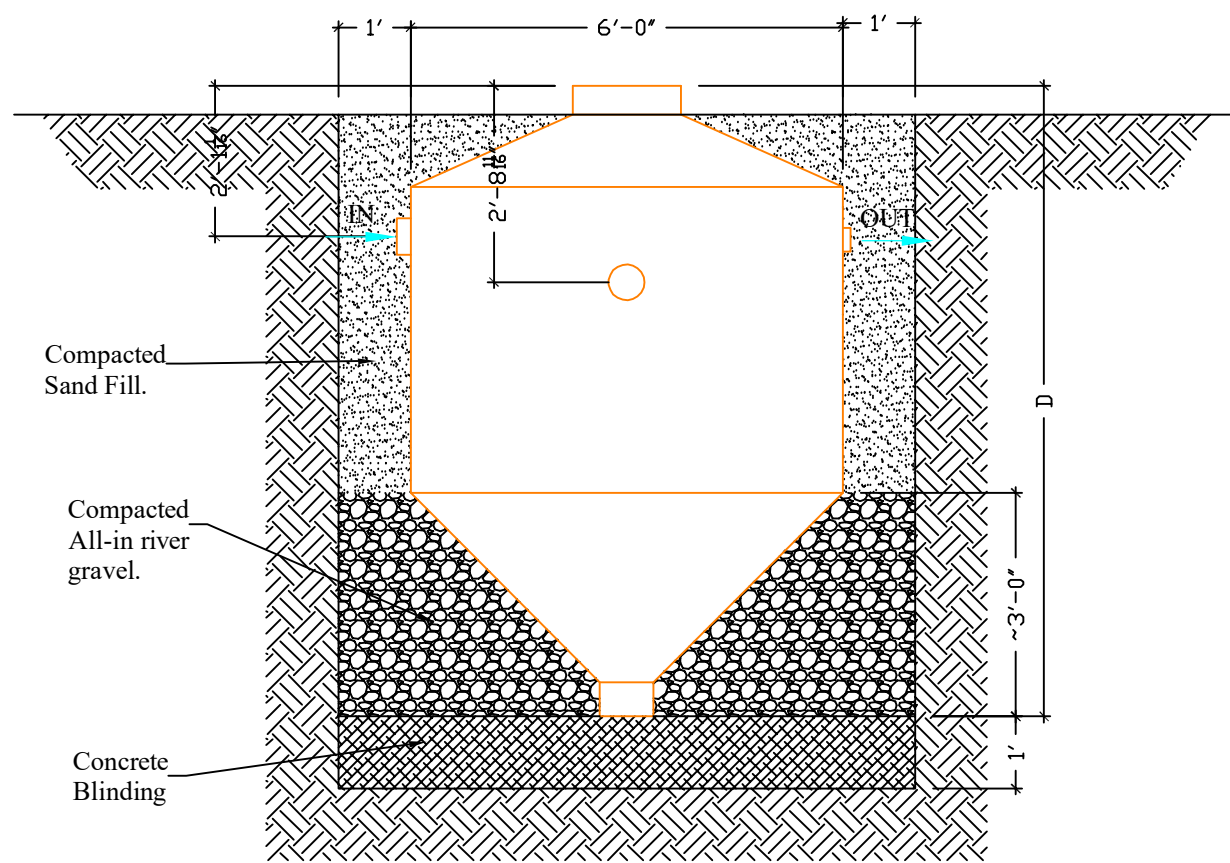




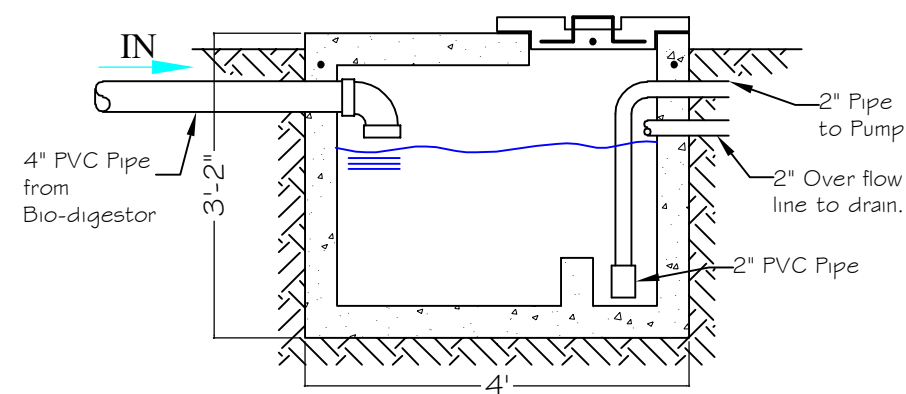
1 WASTE WATER TREATMENT SYSTEM
P1.1 SCALE 3/8"=1' - 0"



3 SECTION THRU INJECTION WELL
P1.1 SCALE 1"=1'-0"



2 SECTION THRU A-A (BIO-DIGESTER)
P1.1 SCALE 3/8"=1' - 0"



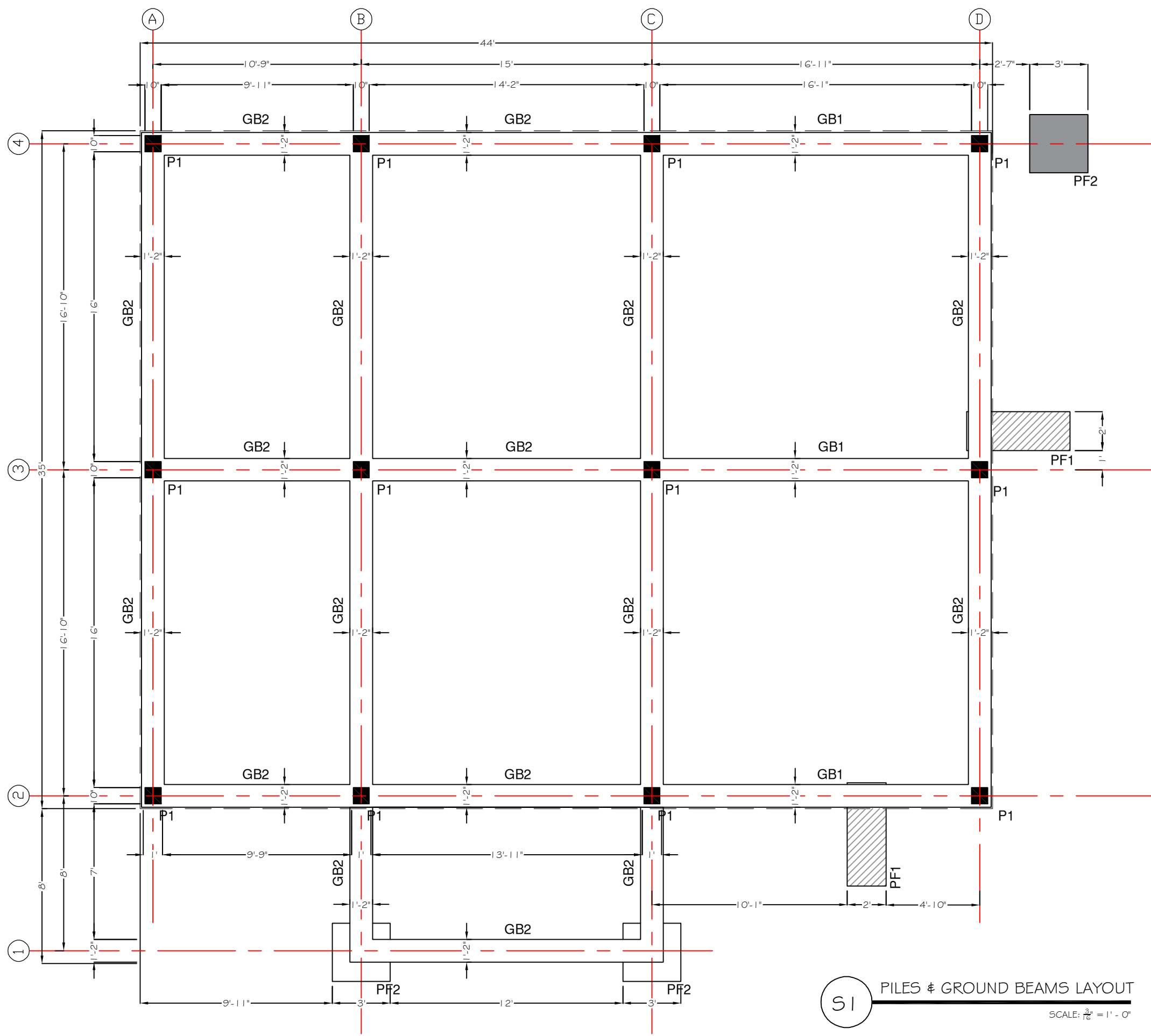
4 SECTION THRU B-B (DISINFECTANT CHAMBER)
P1.1 SCALE 1/2"=1' - 0"

Rotoplas Bio-digester			
TYPE	CAPACITY (liters/gals.)	DIAMETER (D)	HEIGHT (H)
RP - 600	600 / 160	2'-10"	5'-3"
RP - 1,300	1,300 / 340	3'-9"	6'-3"
RP - 3,000	3,000 / 790	6'-6"	6'-10"
RP - 7,000	7,000 / 1,850	7'-10"	8'-6"

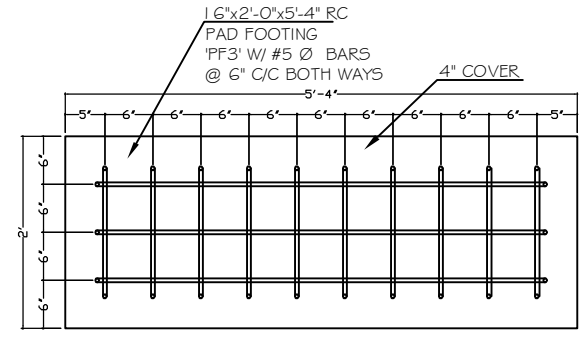
RECOMMENDED SIZE

SPECIFICATIONS

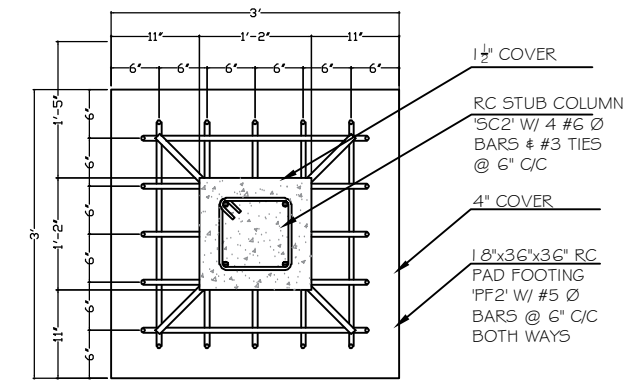
1. INLET PIPE MUST DIP 12" BELOW LIQUID LEVEL IN TANK
2. TANK MUST BE AIR AND WATER TIGHT.
3. INVERT LEVEL OF OUTLET PIPE MUST BE 2" MINIMUM BELOW TOP OF BAFFLE WALL



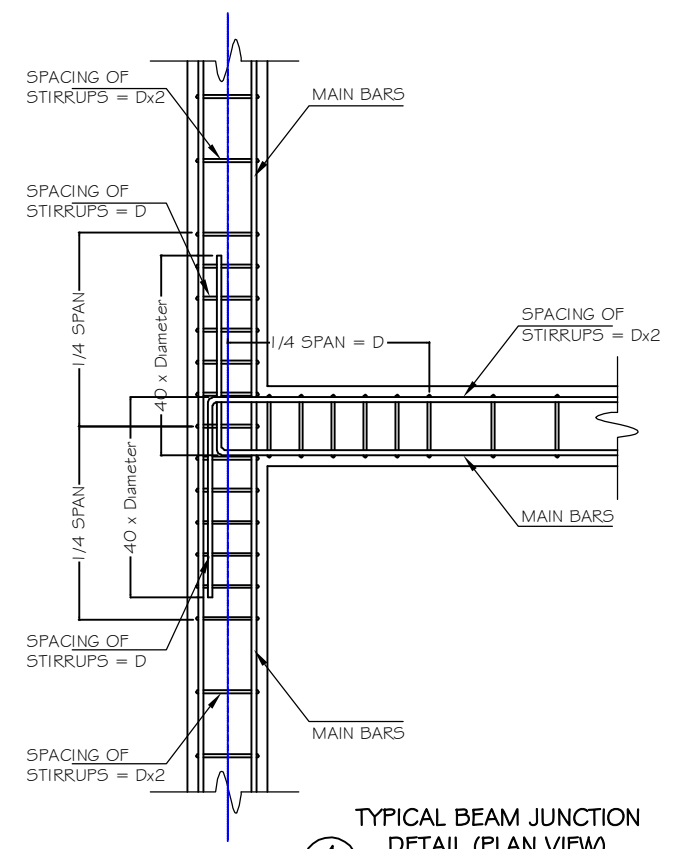
S1 PILES & GROUND BEAMS LAYOUT
SCALE: $\frac{3}{16}'' = 1' - 0''$



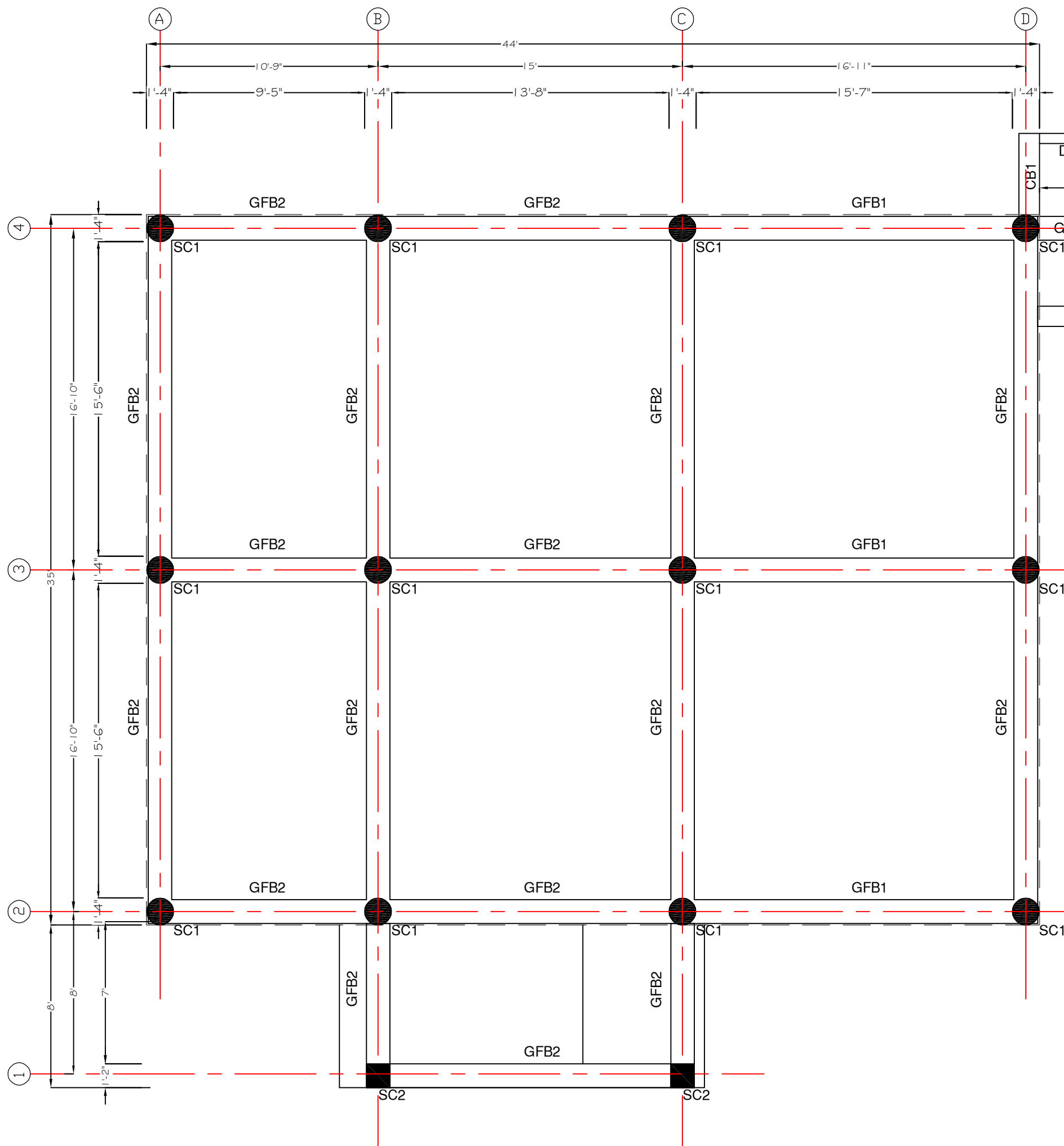
2 PAD FOOTING 'PF1'
SCALE $\frac{1}{2}'' = 1' - 0''$



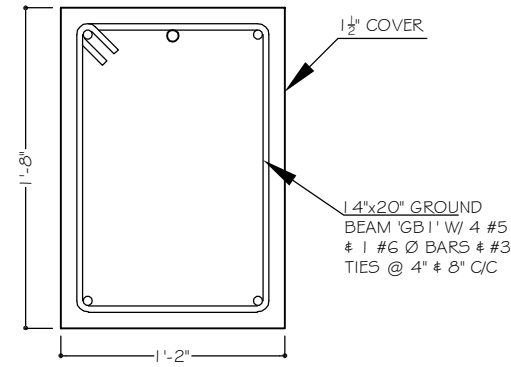
3 PAD FOOTING 'PF2' & STUB COLUMN 'SC2'
SCALE $\frac{1}{2}'' = 1' - 0''$



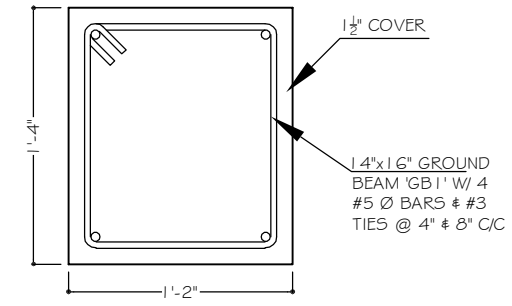
4 TYPICAL BEAM JUNCTION DETAIL (PLAN VIEW)
SCALE $\frac{1}{2}'' = 1' - 0''$



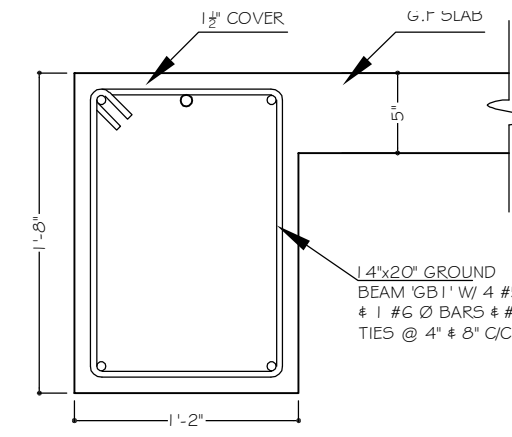
S2 GROUND COLUMNS & G.F BEAMS LAYOUT
SCALE: 1/8" = 1'-0"



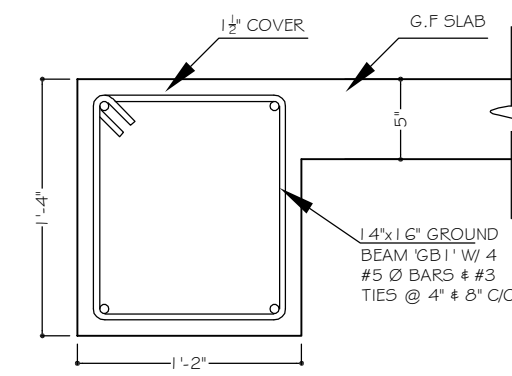
2 GROUND BEAM 'GB1'
SCALE 1" = 1'-0"



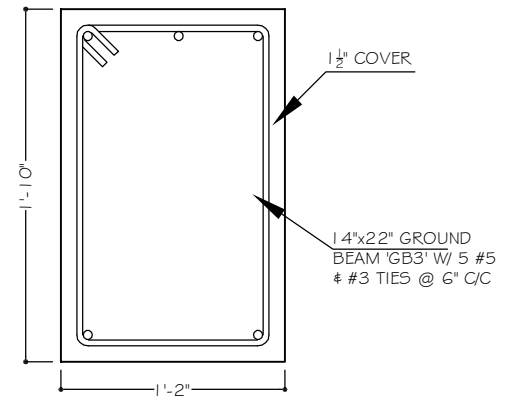
3 GROUND BEAM 'GB2'
SCALE 1" = 1'-0"



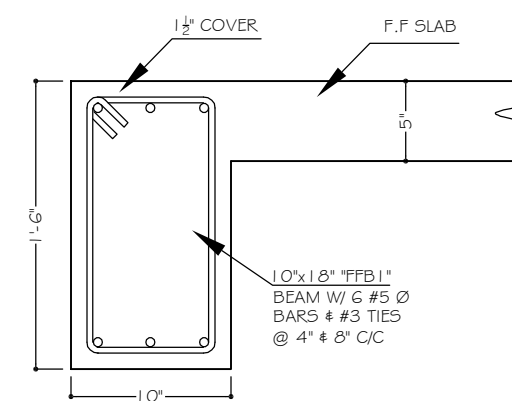
4 GROUND FLOOR BEAM 'GFB1'
SCALE 1" = 1'-0"



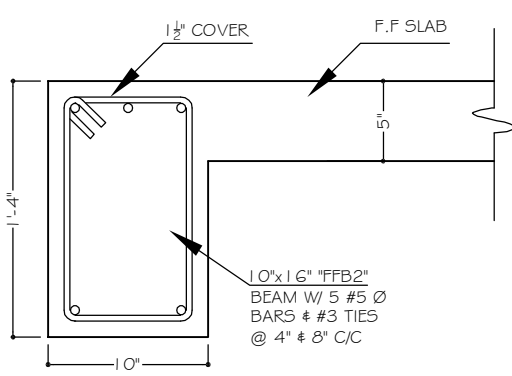
5 GROUND FLOOR BEAM 'GFB2'
SCALE 1" = 1'-0"



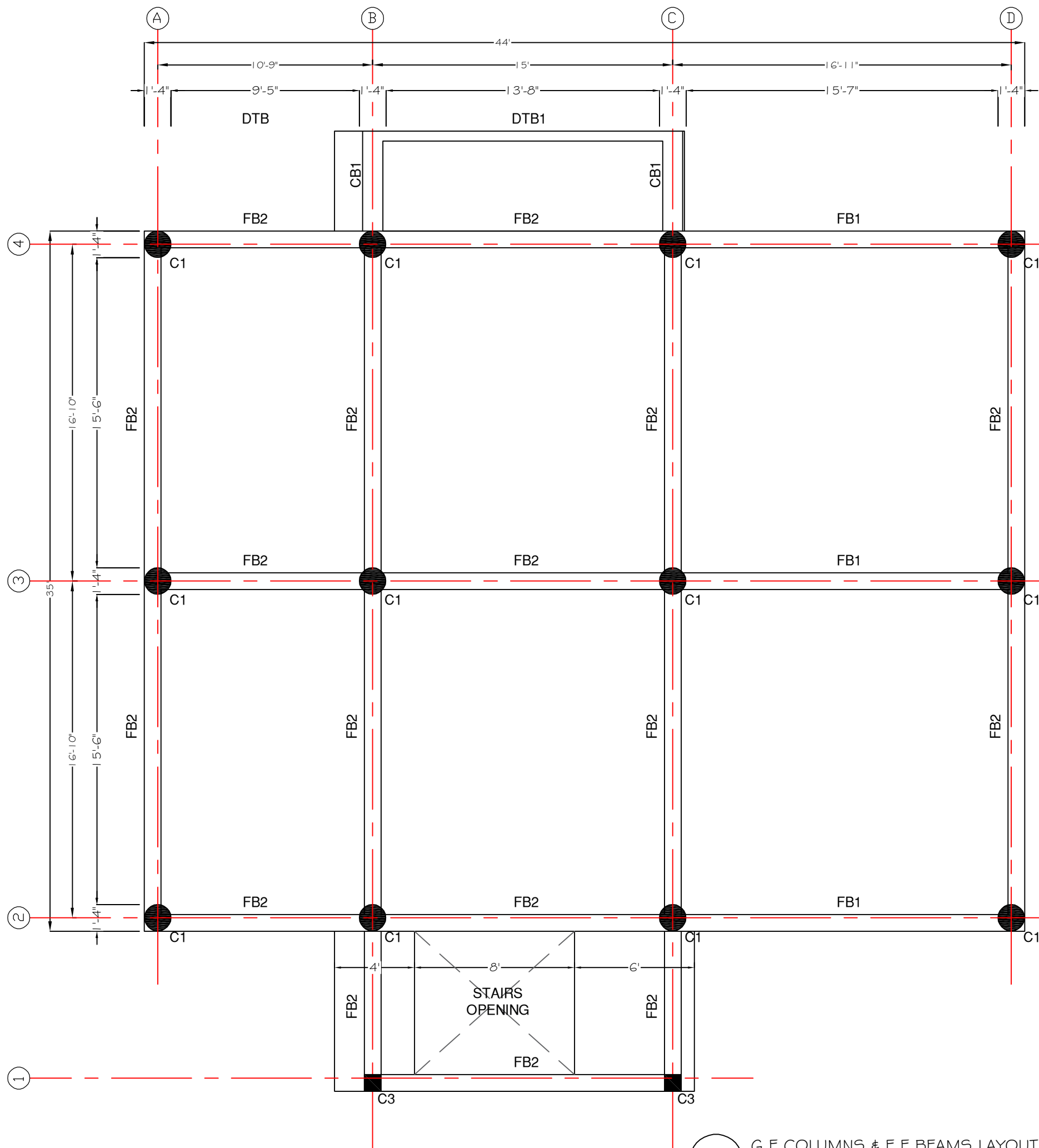
6 GROUND BEAM 'GFB3'
SCALE 1" = 1'-0"



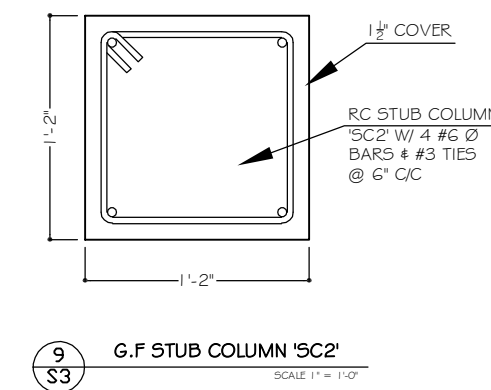
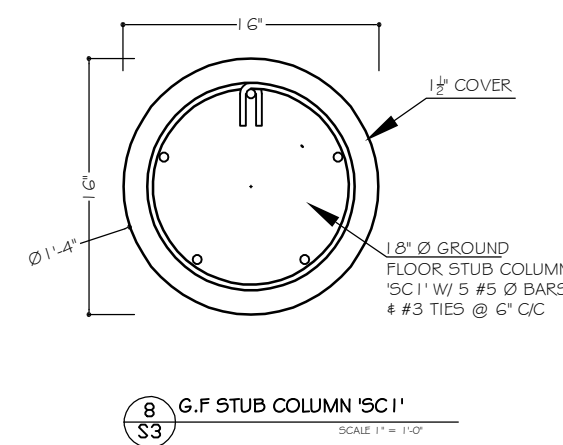
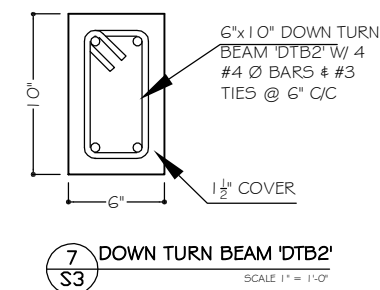
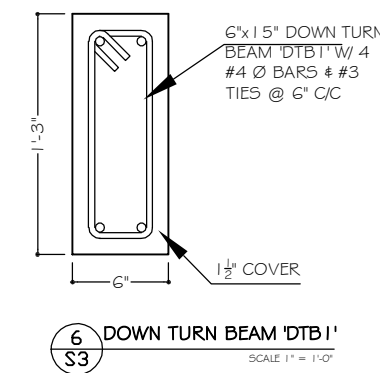
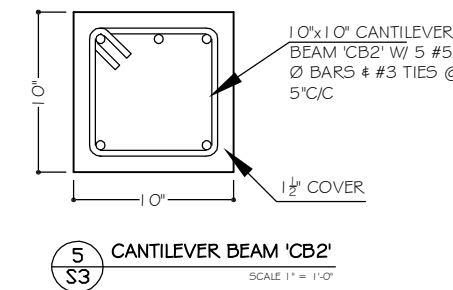
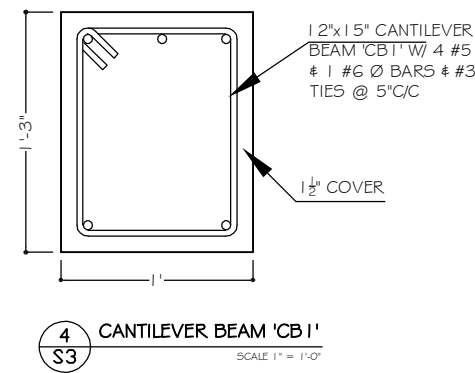
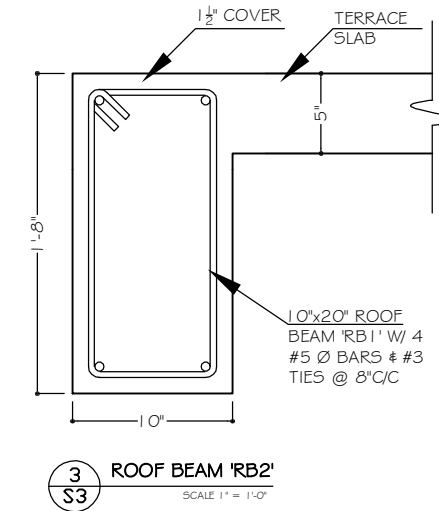
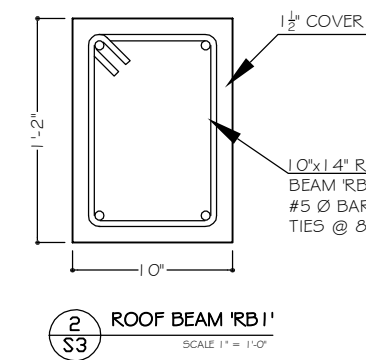
7 FIRST FLOOR BEAM 'FFB1'
SCALE 1" = 1'-0"



8 FIRST FLOOR BEAM 'FFB2'
SCALE 1" = 1'-0"

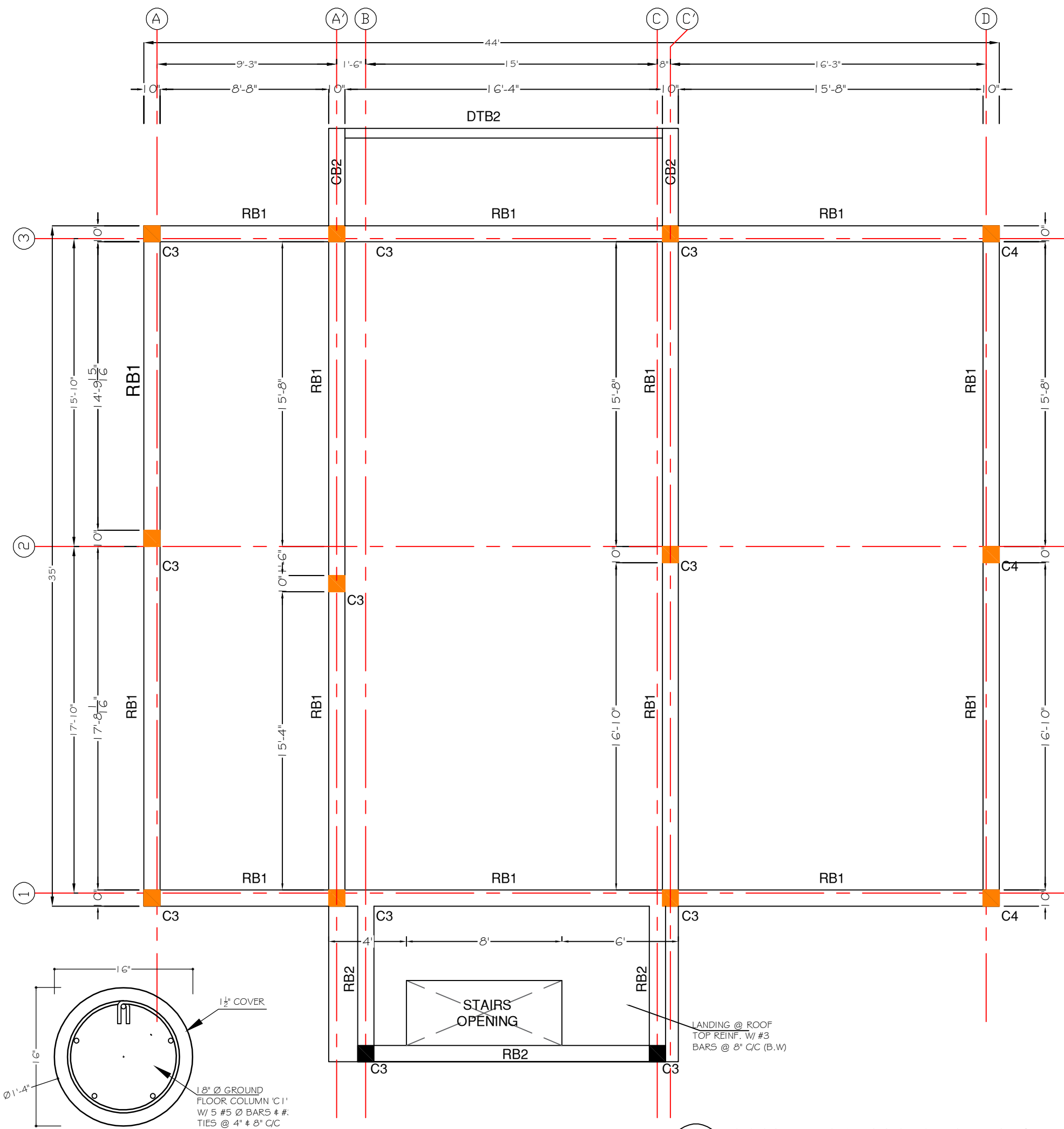


S3 G.F. COLUMNS & F.F. BEAMS LAYOUT
SCALE: 1/8" = 1' - 0"

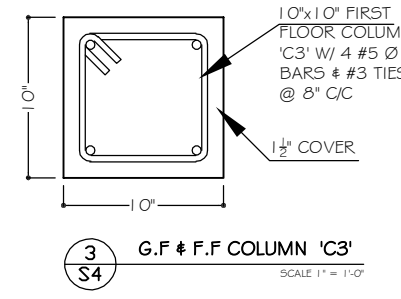


SOUTH WATER CAYE MARINE RESERVE
SHEET TITLE: G.F. COLUMNS & F.F. BEAMS LAYOUT + DETAILS

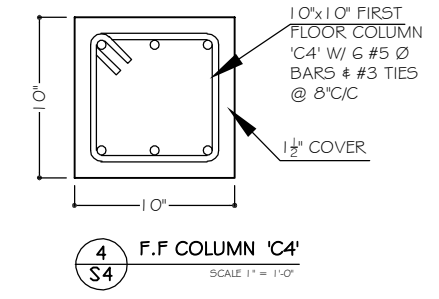
PREPARED BY
KEILA MARTINEZ
ENGINEERING BY
WILLIAM C. LAMB JR.
ARCHITECTURE BY
MEHER CHULANI
DATE
MAY 2018
SCALE
AS SHOWN
SHEET NO.
S3



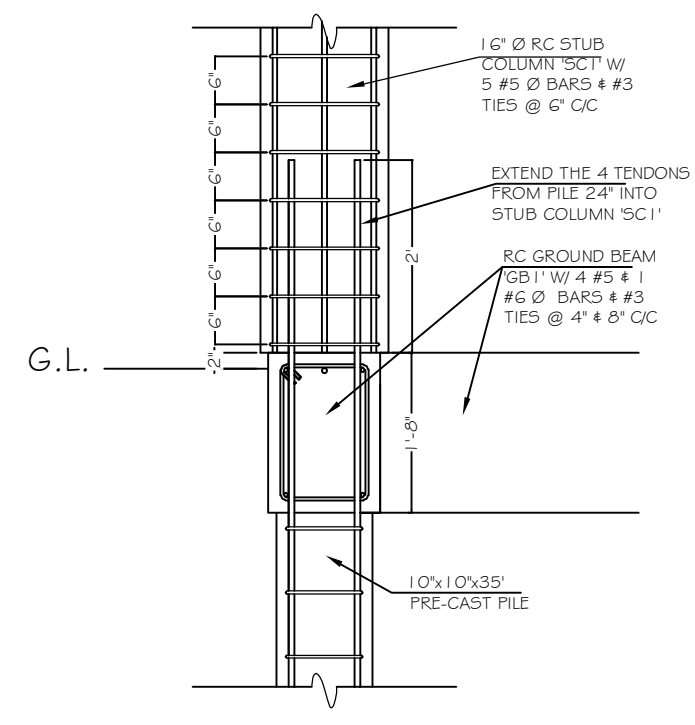
S4 F.F. COLUMNS & ROOF BEAMS LAYOUT
SCALE: 1/8" = 1'-0"



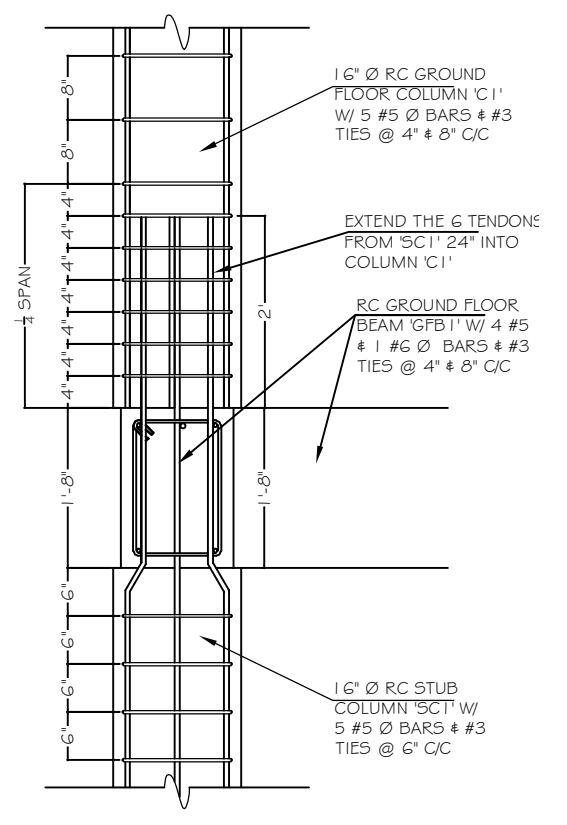
S4 3 G.F. & F.F. COLUMN 'C3'
SCALE 1" = 1'-0"



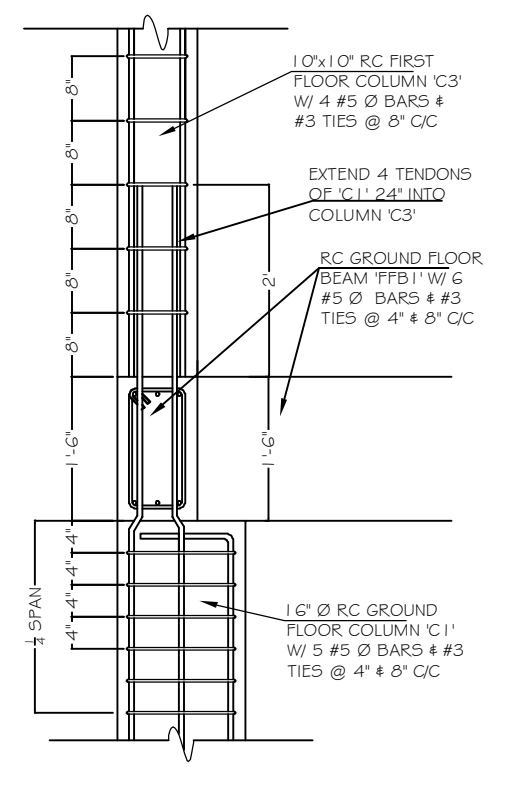
S4 4 F.F. COLUMN 'C4'
SCALE 1" = 1'-0"



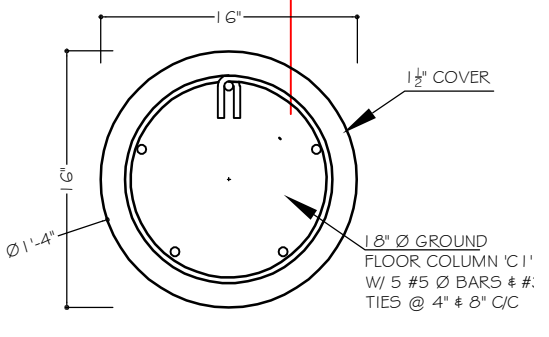
S4 5 SECTION THRU PILE, GB1 & 'SC1'
SCALE 1/2" = 1'-0"



S4 6 SECTION THRU 'SC1', GFB1 & 'C1'
SCALE 1/2" = 1'-0"



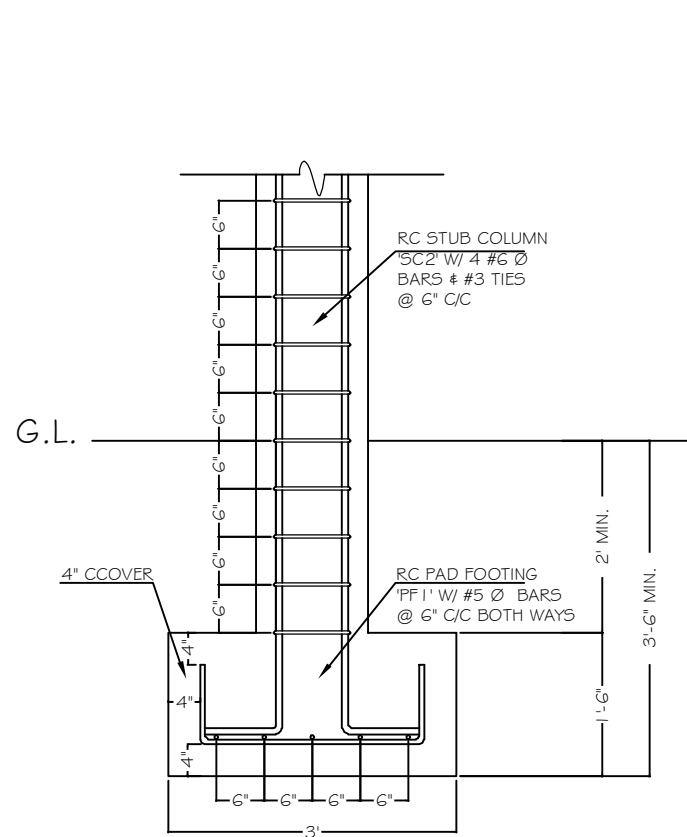
S4 7 SECTION THRU 'C1', FFB1 & 'C3'
SCALE 1/2" = 1'-0"



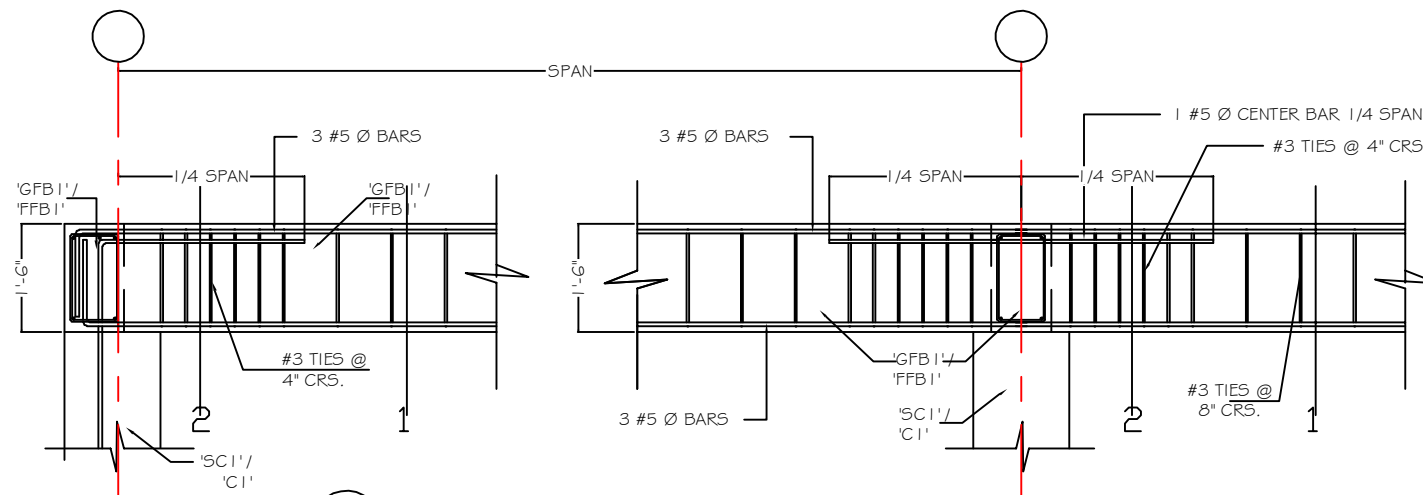
S4 2 G.F. COLUMN 'C1'
SCALE 1" = 1'-0"

SOUTH WATER CAYE MARINE RESERVE
SHEET TITLE:
F.F. COLUMNS & ROOF BEAMS LAYOUT + DETAILS

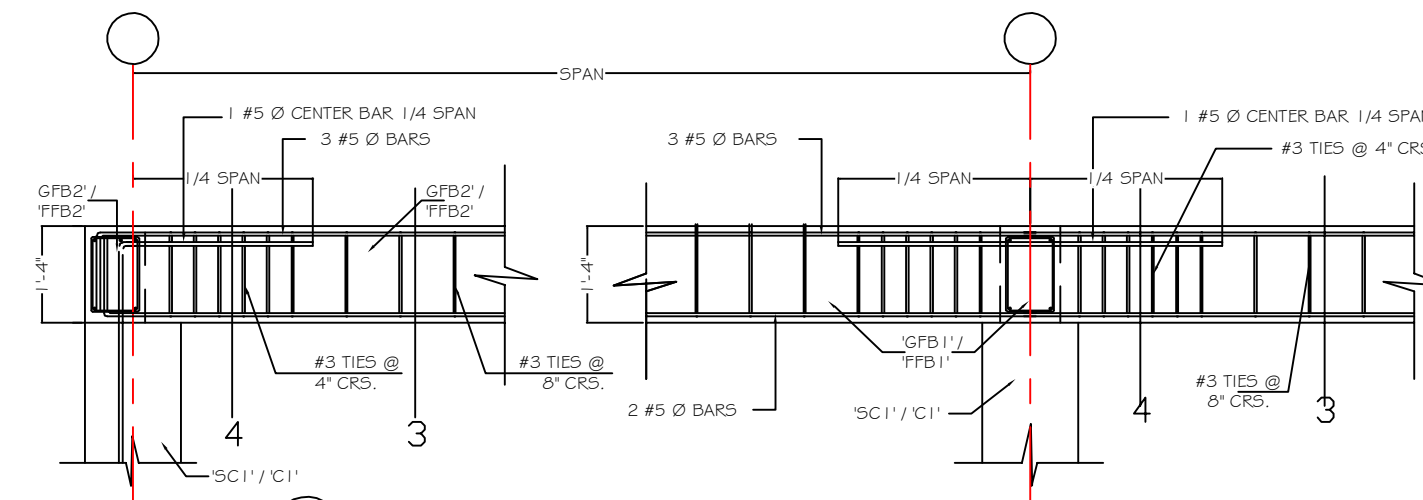
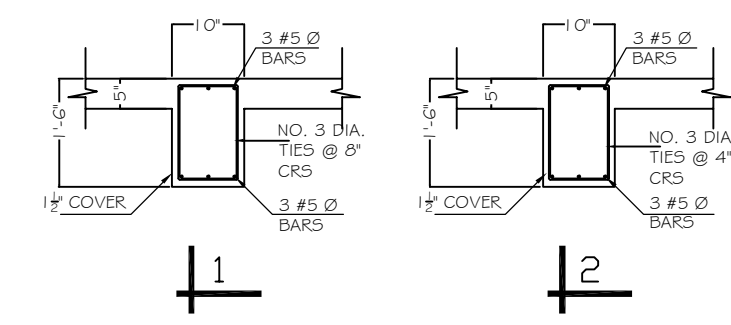
PREPARED BY KEILA MARTINEZ
ENGINEERING BY WILLIAM C. LAMB JR.
ARCHITECTURE BY MEHER CHULANI
DATE MAY 2018
SCALE AS SHOWN
SHEET NO. S4



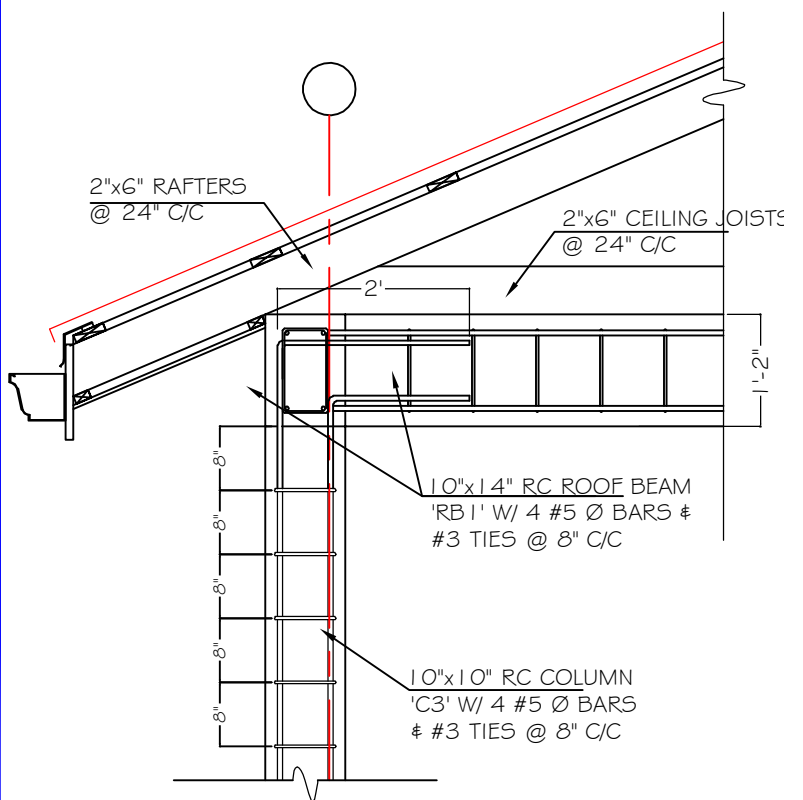
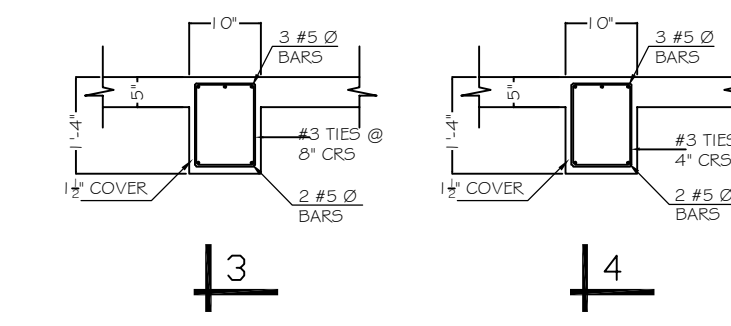
1 SECTION THRU 'PF2', 'SC1', 'GB2' & 'C1'
SCALE 1/2" = 1'-0"



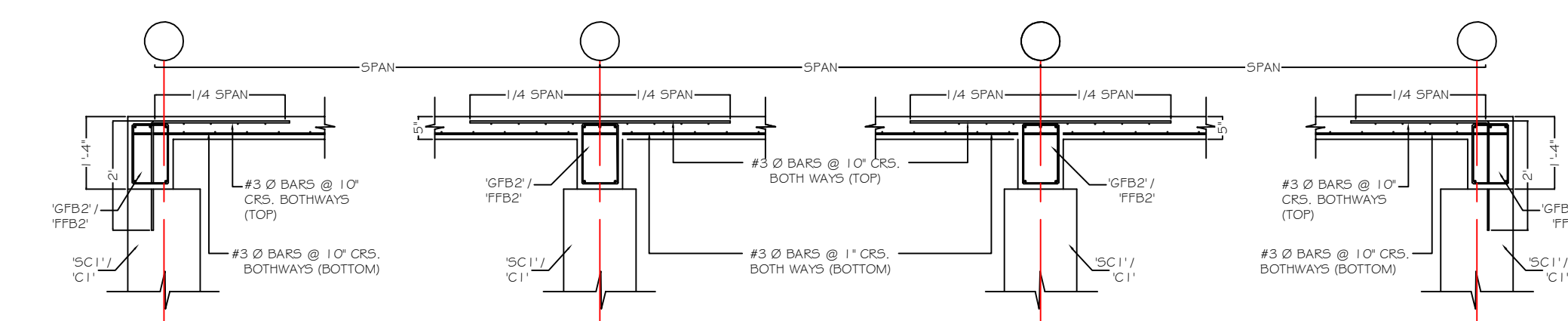
3 TYPICAL FLOOR BEAMS 'GFB1' & 'FFB1'
SCALE 3/8" = 1' - 0"



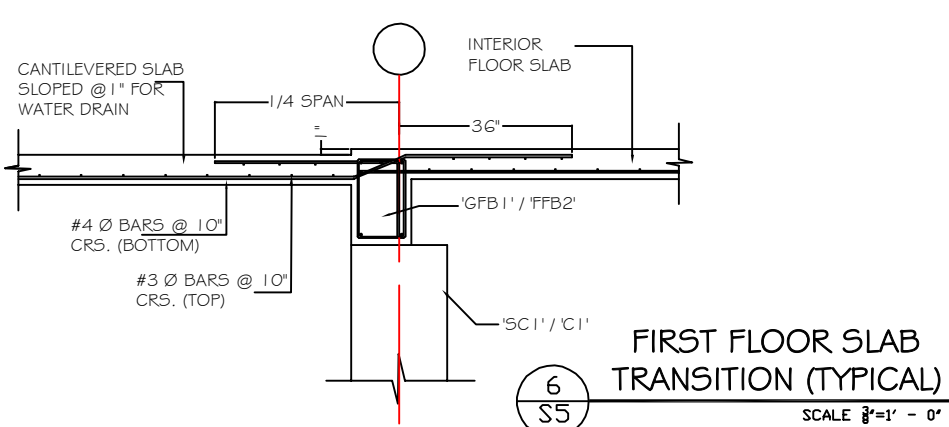
4 TYPICAL FLOOR BEAMS 'GFB2' & 'FFB2'
SCALE 3/8" = 1' - 0"



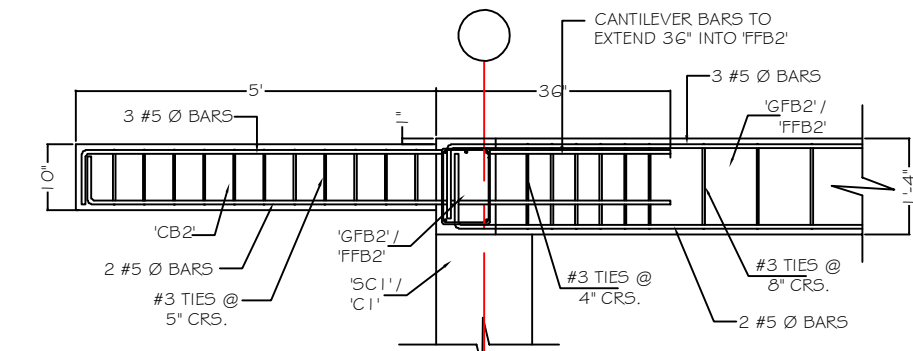
2 SECTION THRU 'C3' & 'RB1'
SCALE 1/2" = 1'-0"



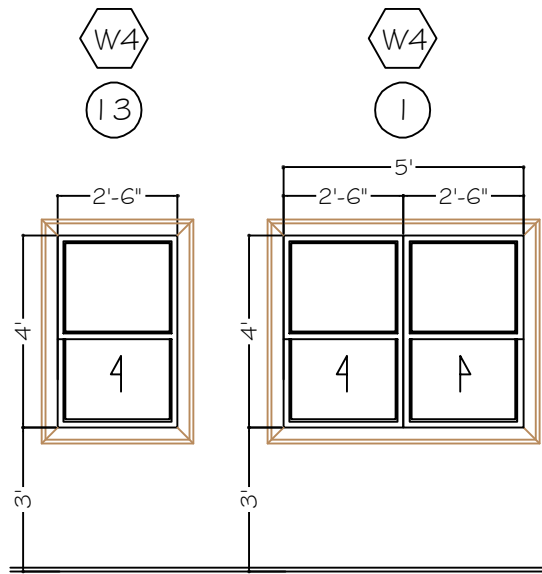
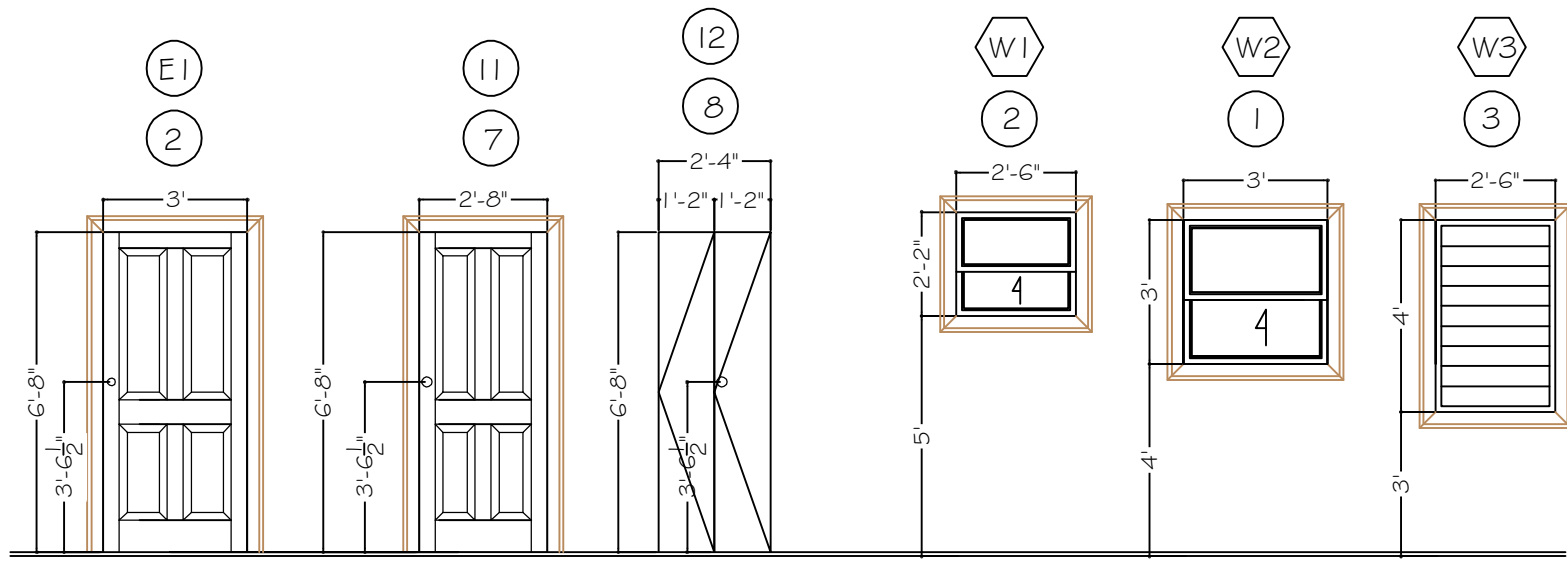
5 FLOOR SLAB SECTION (TYPICAL)
SCALE 3/8" = 1' - 0"



6 FIRST FLOOR SLAB TRANSITION (TYPICAL)
SCALE 3/8" = 1' - 0"



7 BEAMS TRANSITION (TYPICAL)
SCALE 3/8" = 1' - 0"

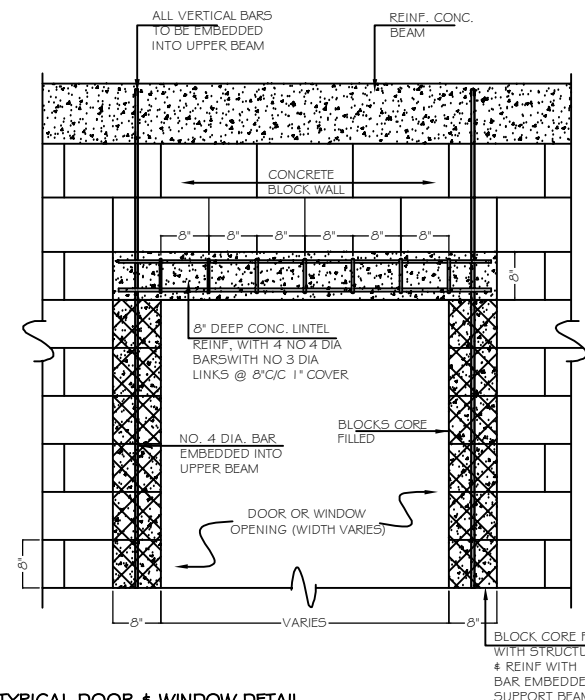


DOOR SCHEDULE							
CODE	QNT.	SIZE	ROUGH OPNG.	JAMB SIZE	TYPE	FRAME	REMARKS
E1	2	3'-0" X 6'-8"	3'-4" X 6'-10"	2" x 6"	HINGED WOODEN DOOR	TIMBER	FOUR PANEL EXTERIOR WOODEN DOOR
I1	7	2'-8" X 6'-8"	3'-0" X 6'-10"	2" x 6"	HINGED WOODEN DOOR	TIMBER	FOUR PANEL INTERIOR WOODEN DOOR
I2	1	2'-4" X 6'-0"	2'-6" X 6'-0"	1" x 4"	HINGED WOODEN DOOR	TIMBER	PLAIN PANEL INTERIOR DOOR

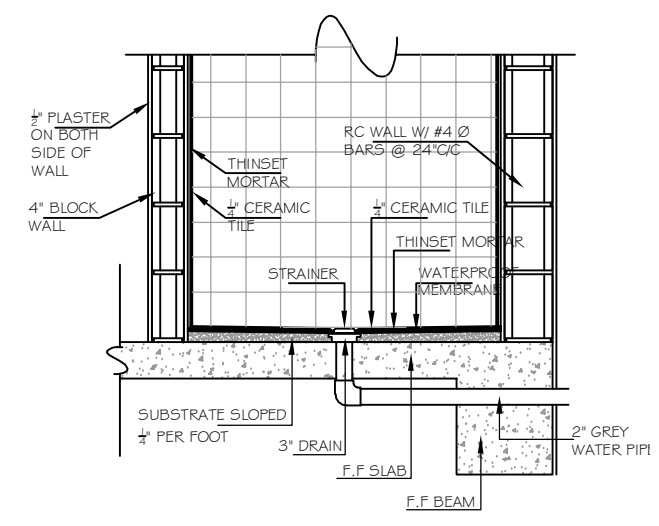
WINDOW SCHEDULE								
CODE	QUANT.	SIZE	ROUGH OPNG.	TYPE	JAMB	HEAD	SILL	REMARKS
W1	2	2'-5 1/2" X 2'-1 1/2"	2'-6" X 2'-2"	SINGLE HUNG GLASS WINDOW	ALUM.	ALUM.	CONC.	
W2	1	2'-1 1/2" X 2'-1 1/2"	3'-0" X 3'-0"	SINGLE HUNG GLASS WINDOW	ALUM.	ALUM.	CONC.	
W3	3	2'-5 1/2" X 3'-1 1/2"	2'-6" X 4'-0"	HURRICANE SHIELD LOUVER METAL WINDOW	ALUM.	ALUM.	CONC.	
W4	13	2'-5 1/2" X 3'-1 1/2"	2'-6" X 4'-0"	SINGLE HUNG GLASS WINDOW	ALUM.	ALUM.	CONC.	
W5	1	4'-1 1/2" X 3'-1 1/2"	5'-0" X 4'-0"	SINGLE HUNG GLASS WINDOW	ALUM.	ALUM.	CONC.	

NOTES:
 -WINDOWS HEIGHT MEASUREMENTS ARE TAKEN FROM FLOORING TO SILL
 -ROUGH OPENING ARE GIVEN 2" FOR FRAME, MAY VARY DEPENDING ON WINDOW OR DOOR

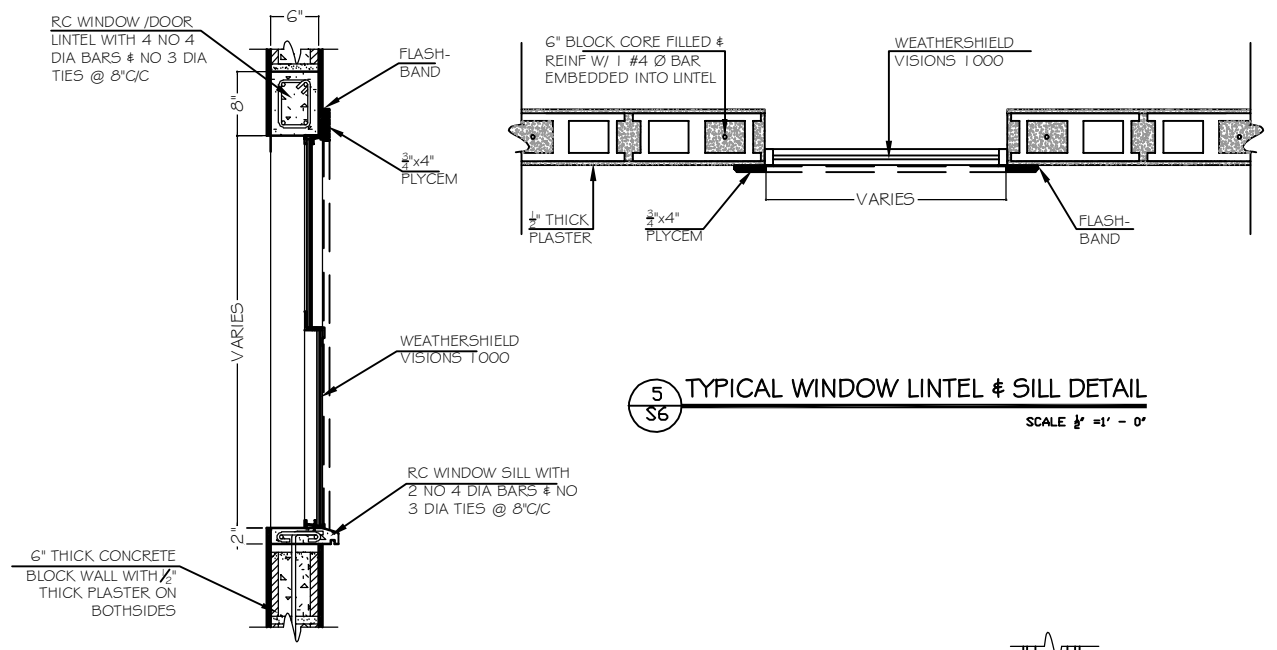
1 S6 DOOR & WINDOW SCHEDULE SCALE 1/4" = 1'-0"



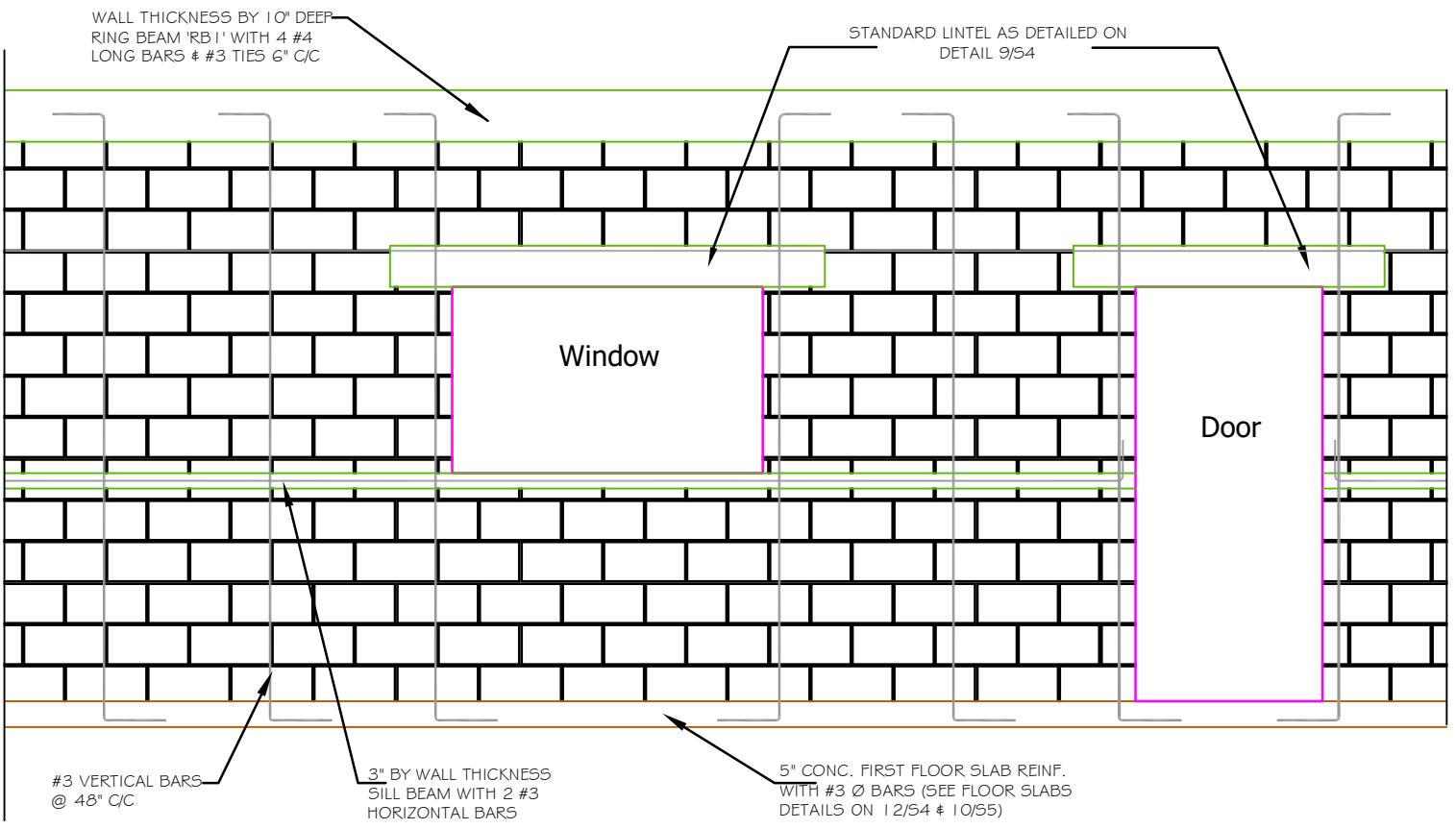
3 S6 TYPICAL DOOR & WINDOW DETAIL SCALE 1/4" = 1'-0"



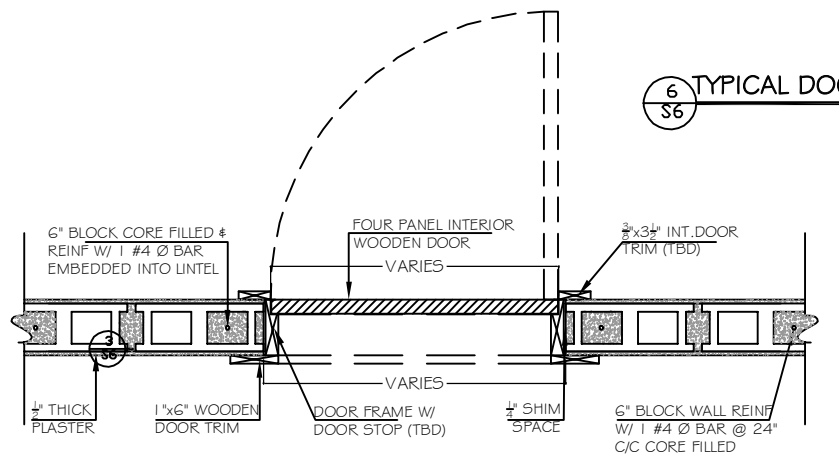
4 S6 TYPICAL SHOWER WALL & FLOOR DETAIL SCALE 1/4" = 1'-0"



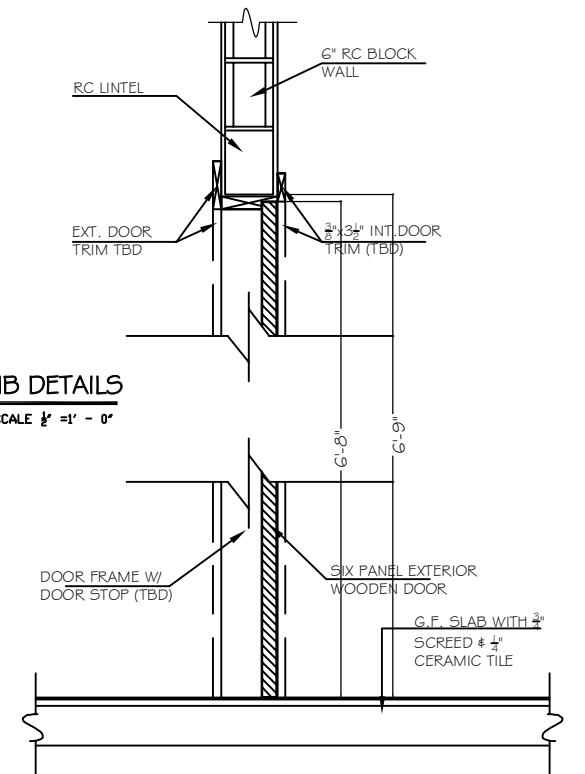
5 S6 TYPICAL WINDOW LINTEL & SILL DETAIL SCALE 1/4" = 1'-0"



2 S6 TYPICAL CONCRETE BLOCK WALL DETAILS SCALE 1/4" = 1'-0"



6 S6 TYPICAL DOOR JAMB DETAILS SCALE 1/4" = 1'-0"



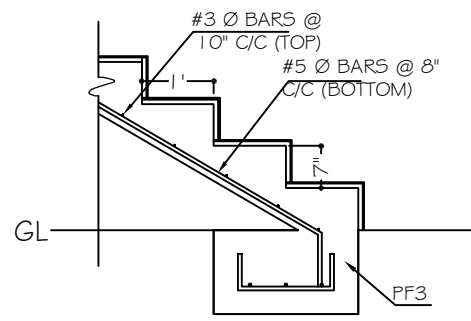
SOUTH WATER CAYE MARINE RESERVE

SHEET TITLE: STRUCTURAL DETAILS 2

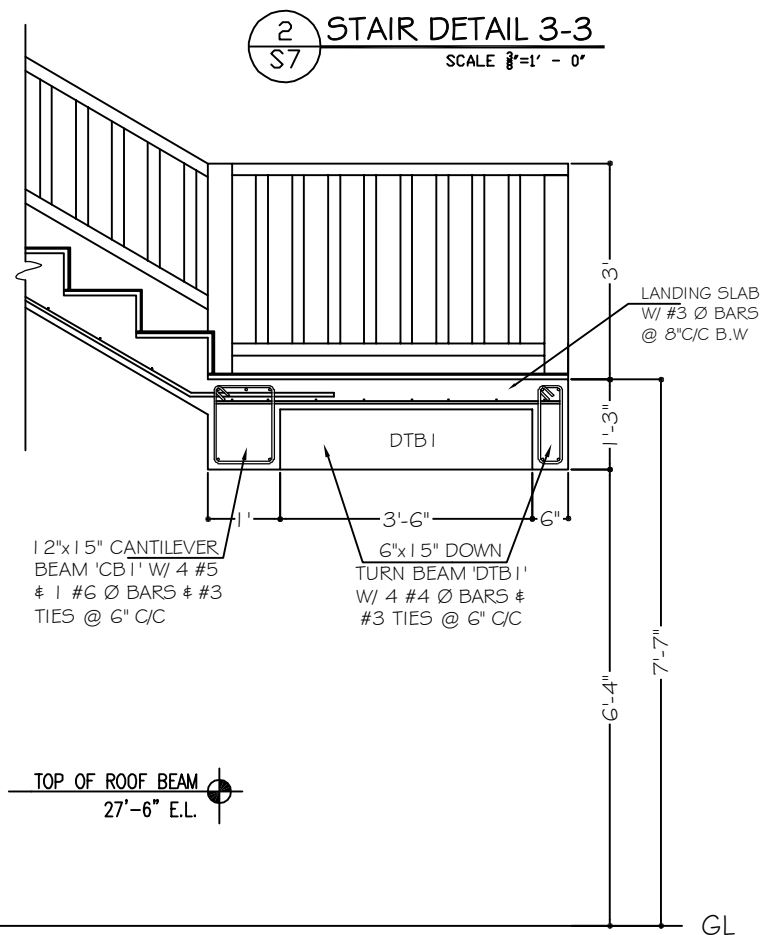


20 Bahamas Street, Belmore City, Cayo
 Tel: (50) 822-0634, Cell: (50) 161-1788
 Email: slylamb@yahoo.com

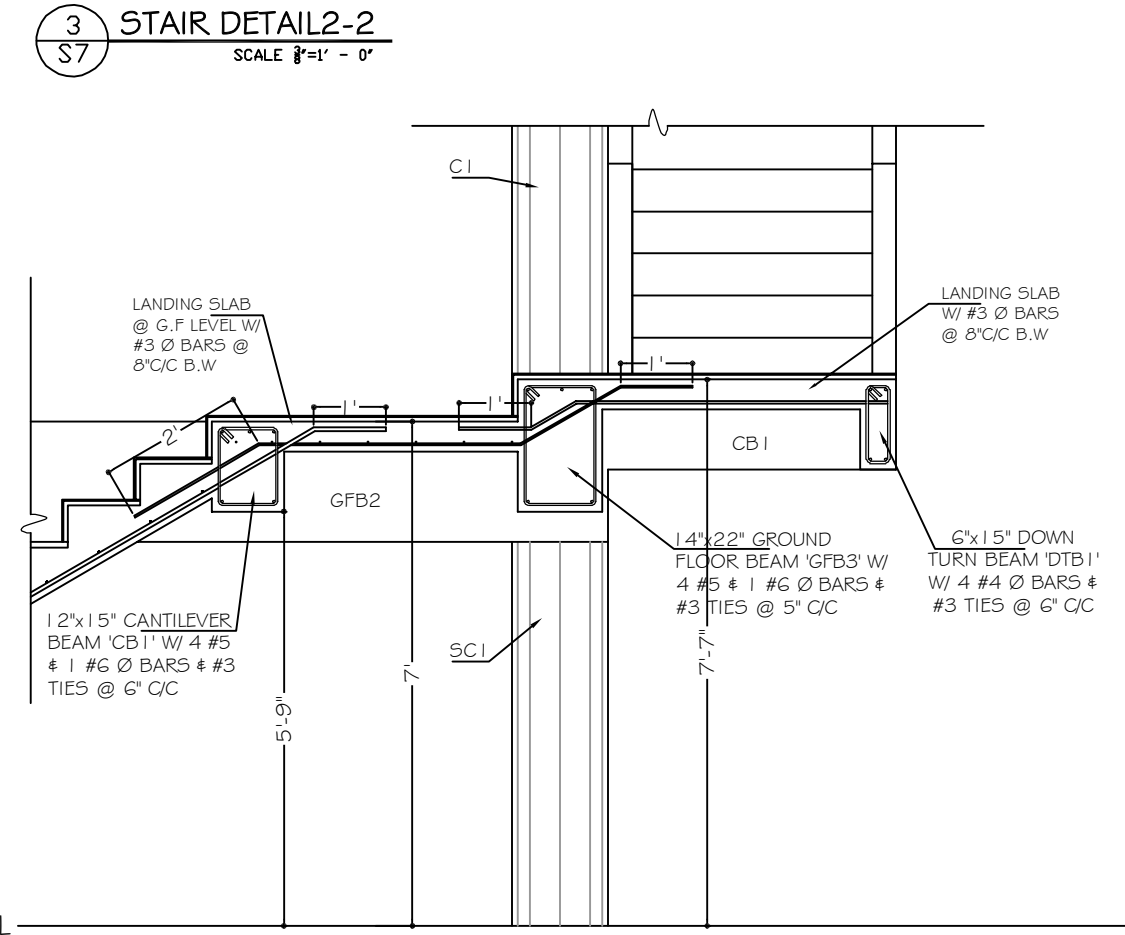
PREPARED BY
KEILA MARTINEZ
 ENGINEERING BY
WILLIAM C. LAMB JR.
 ARCHITECTURE BY
MEHER CHULANI
 DATE
MAY 2018
 SCALE
AS SHOWN
 SHEET NO.
S6



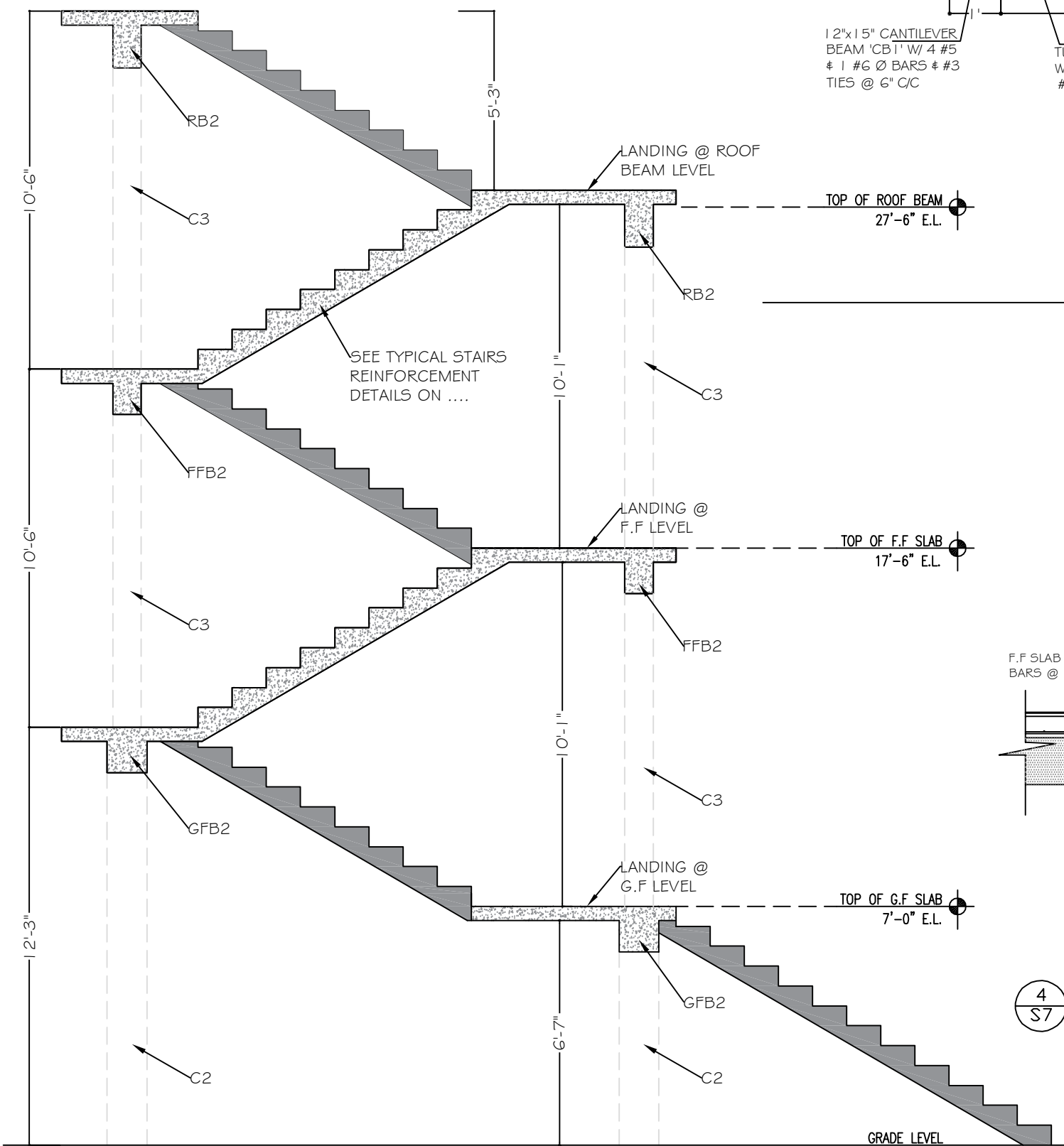
1 STAIR DETAIL 1-1
SCALE: 3/8" = 1' - 0"



2 STAIR DETAIL 2-2
SCALE: 3/8" = 1' - 0"

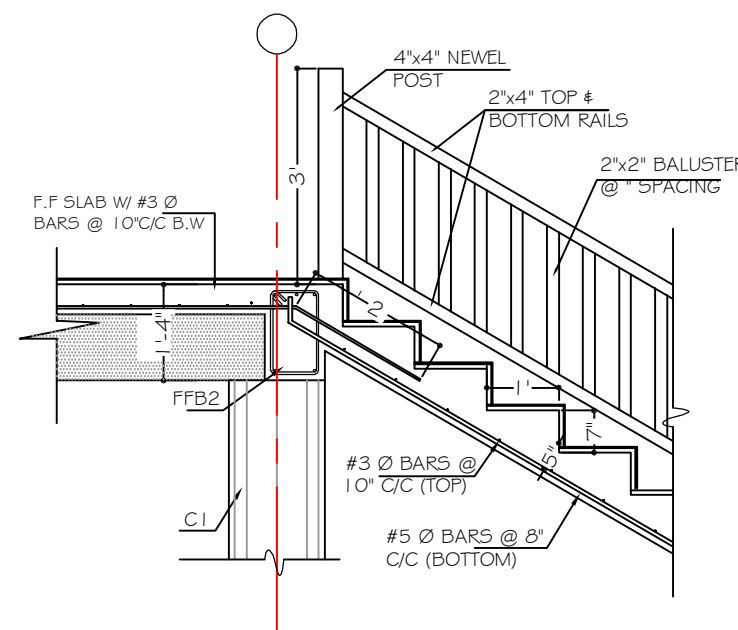


3 STAIR DETAIL 3-3
SCALE: 3/8" = 1' - 0"

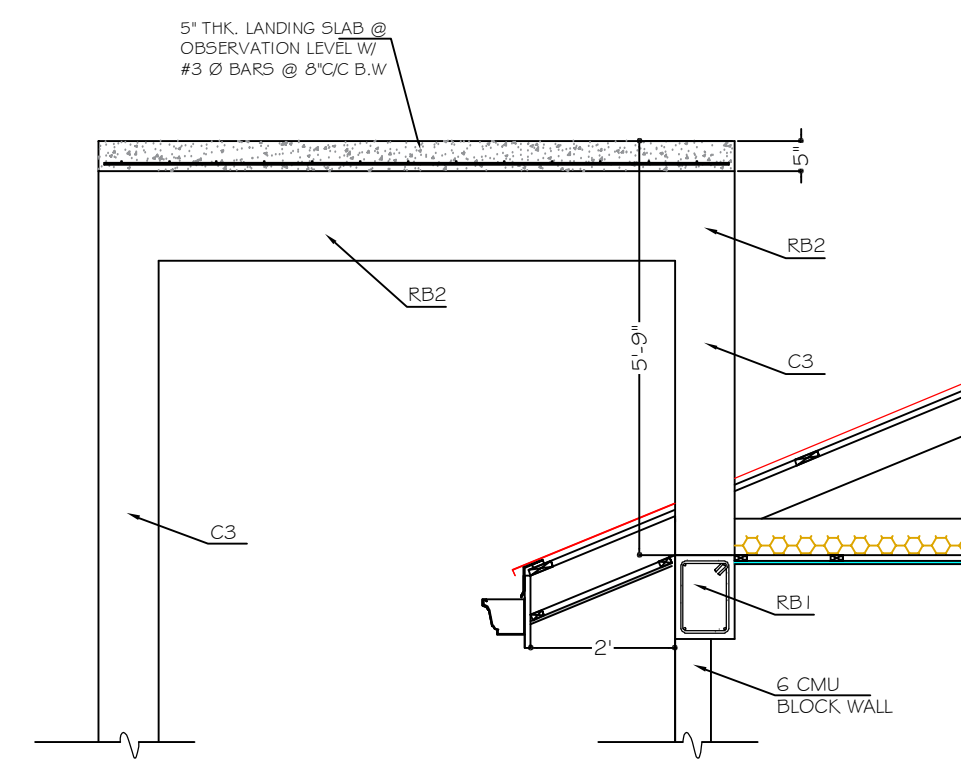


SECTION THROUGH C-C (STAIR TOWER)

SCALE: 3/16" = 1' - 0"



4 STAIR DETAIL 4-4
SCALE: 3/8" = 1' - 0"



5 STAIR DETAIL 5-5
SCALE: 3/8" = 1' - 0"

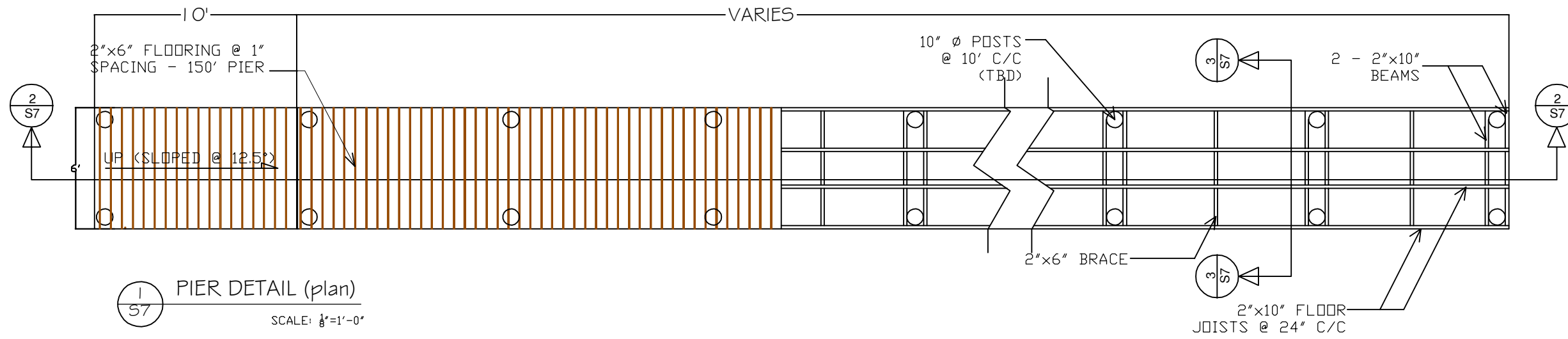
SOUTH WATER CAYE MARINE RESERVE

SHEET TITLE:
STRUCTURAL DETAILS 3

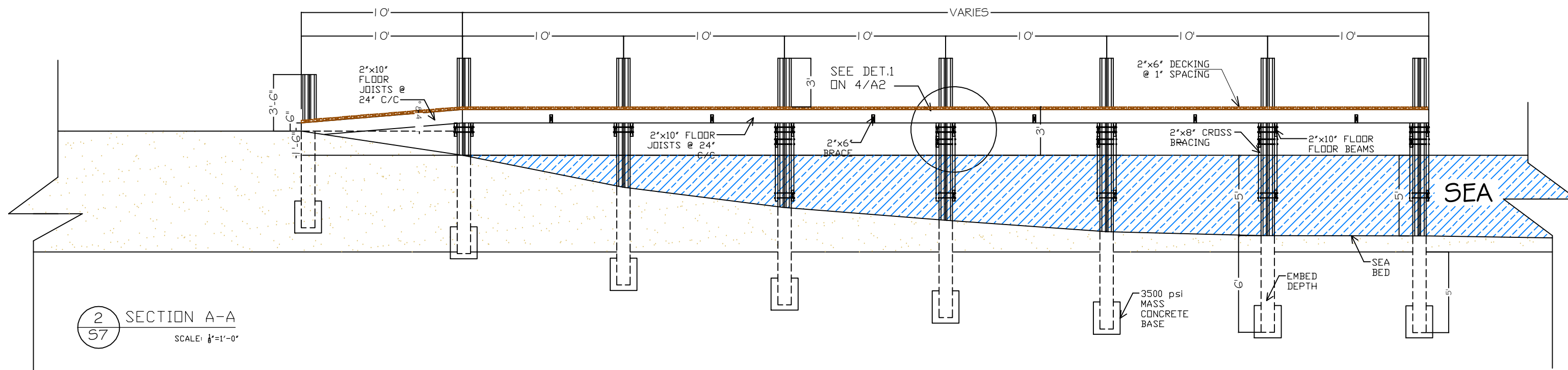


20 Bahamas Street, Belmore City, Cayo
Tel: (50) 822-0634, Cell: (50) 610-1788
Email: s3jw@delaine.com

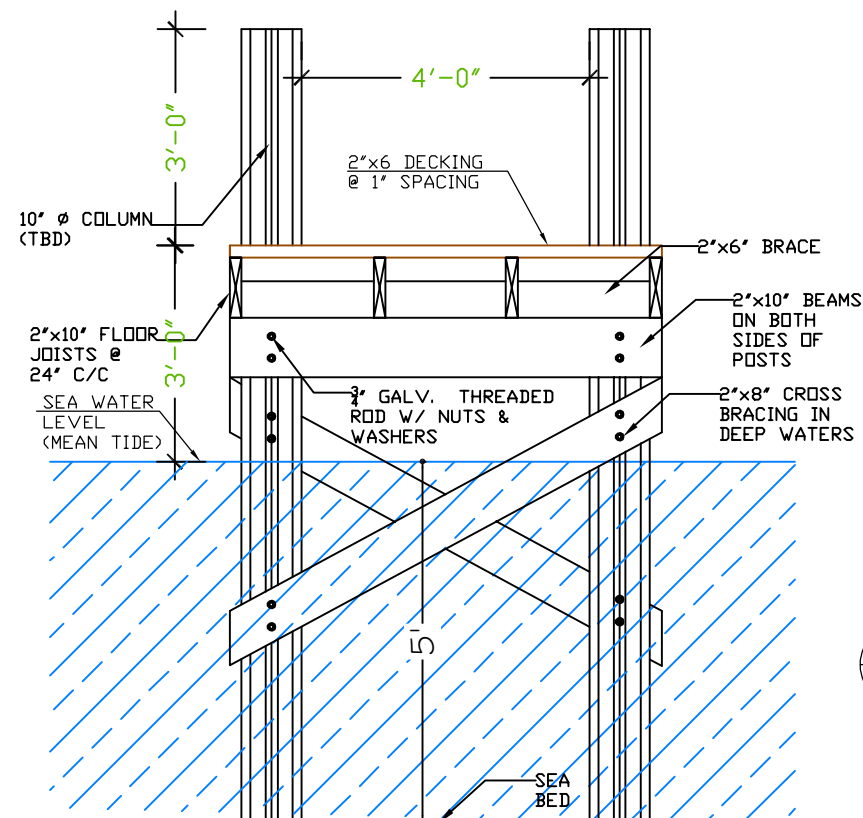
PREPARED BY KEILA MARTINEZ
ENGINEERING BY WILLIAM C. LAMB JR.
ARCHITECTURE BY MEHER CHULANI
DATE 12/5/2017
SCALE AS SHOWN
SHEET NO. S7



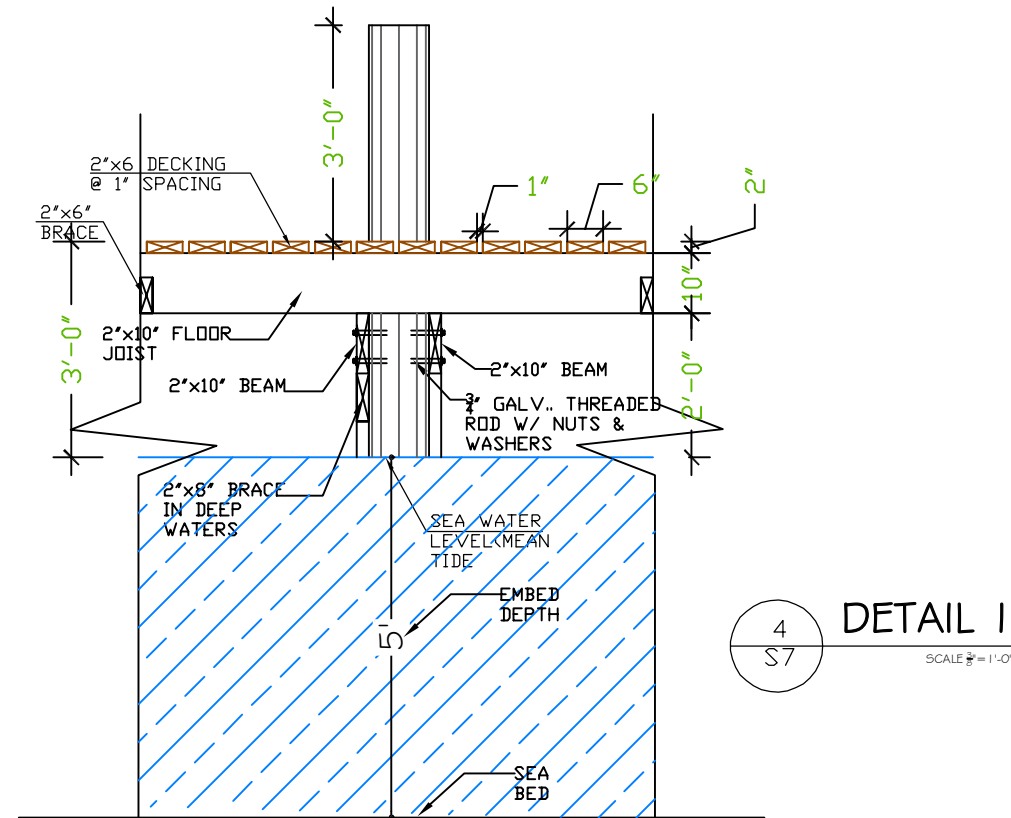
1 PIER DETAIL (plan)
SCALE: 1/8"=1'-0"



2 SECTION A-A
SCALE: 1/8"=1'-0"



3 SECTION THRU B-B
SCALE: 1/8"=1'-0"



4 DETAIL I
SCALE: 1/8"=1'-0"